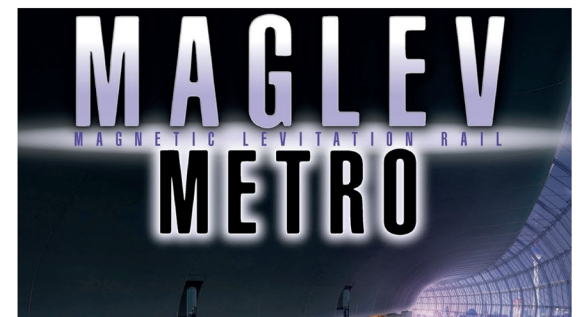
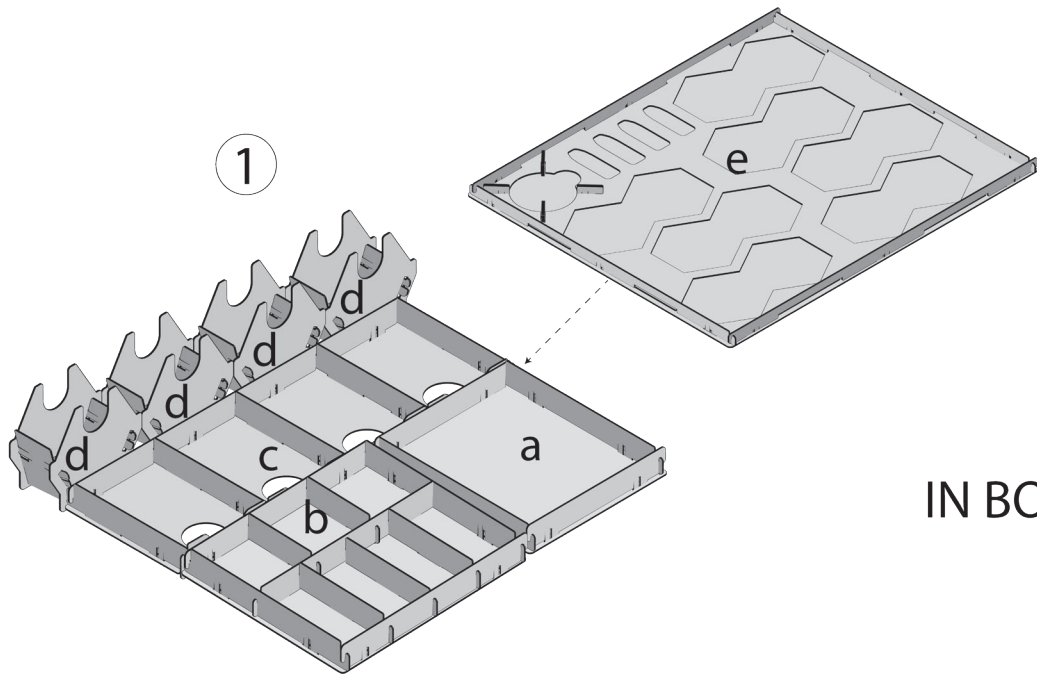
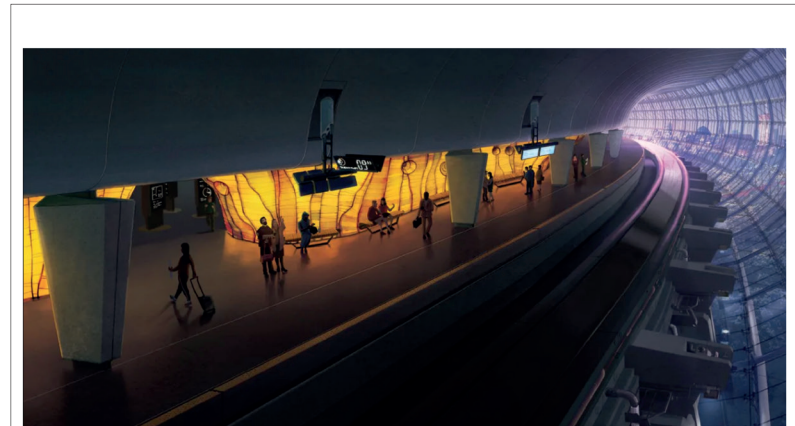
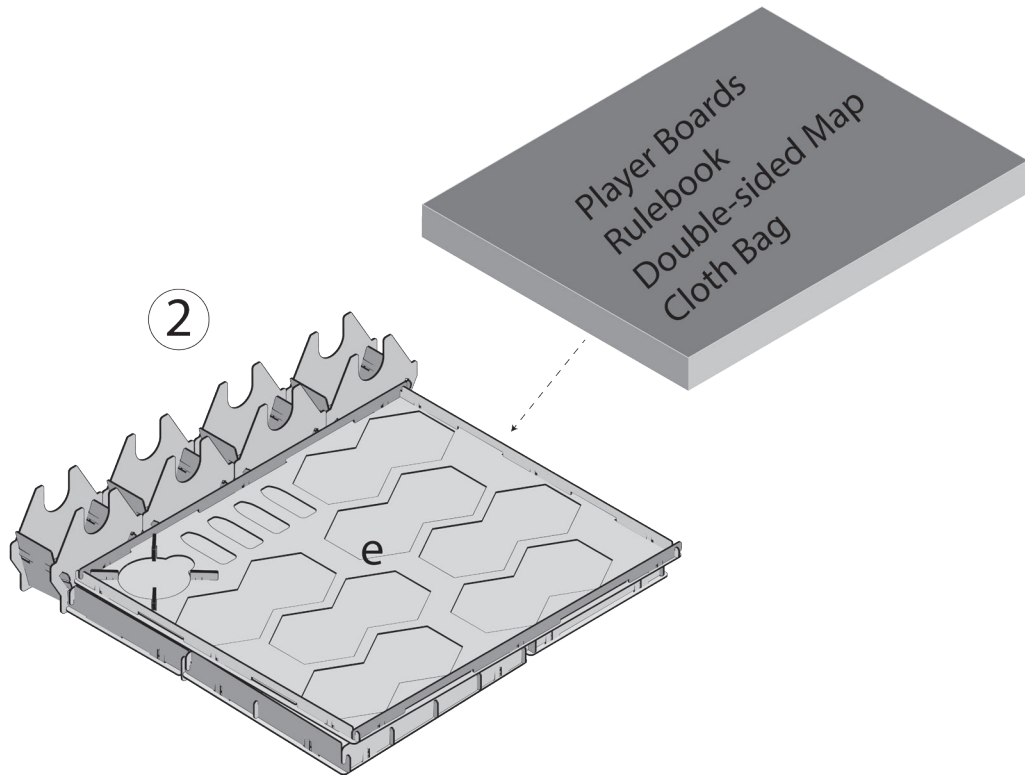
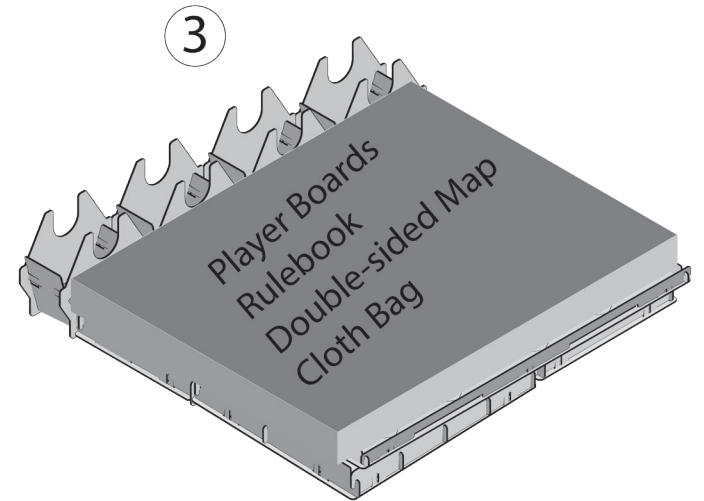


Insert Compatible with the game:

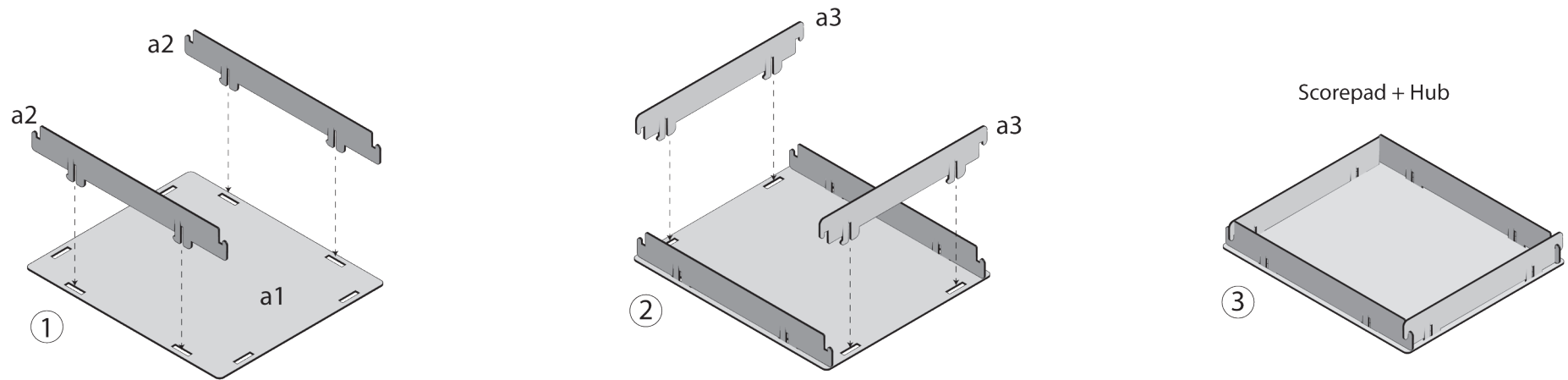




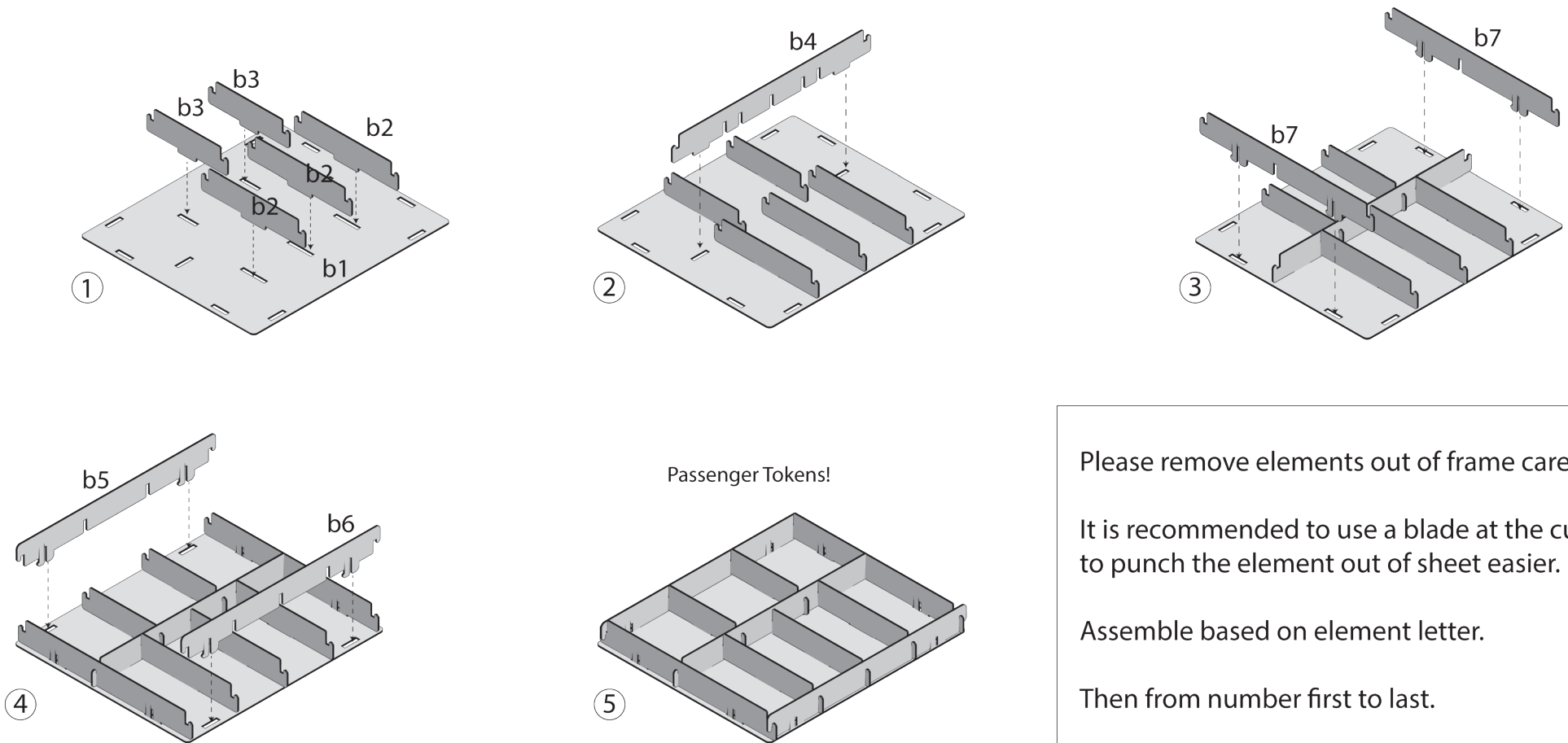
IN BOX!



a



b



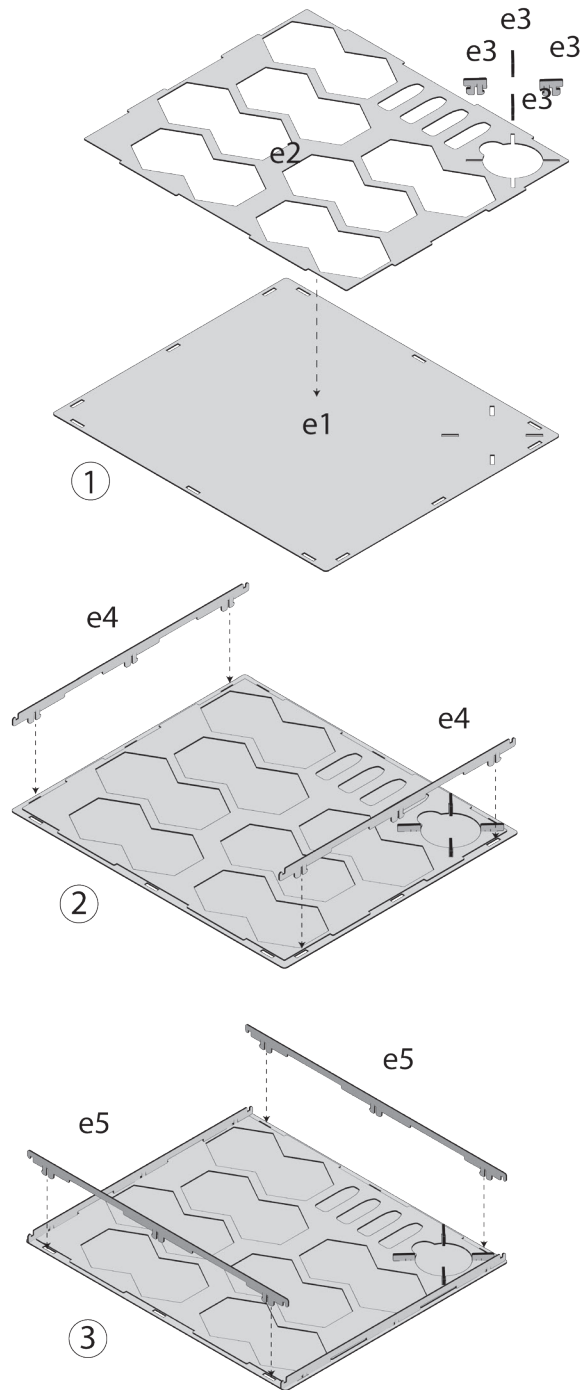
Please remove elements out of frame carefully

It is recommended to use a blade at the cutline to punch the element out of sheet easier.

Assemble based on element letter.

Then from number first to last.

e



c

