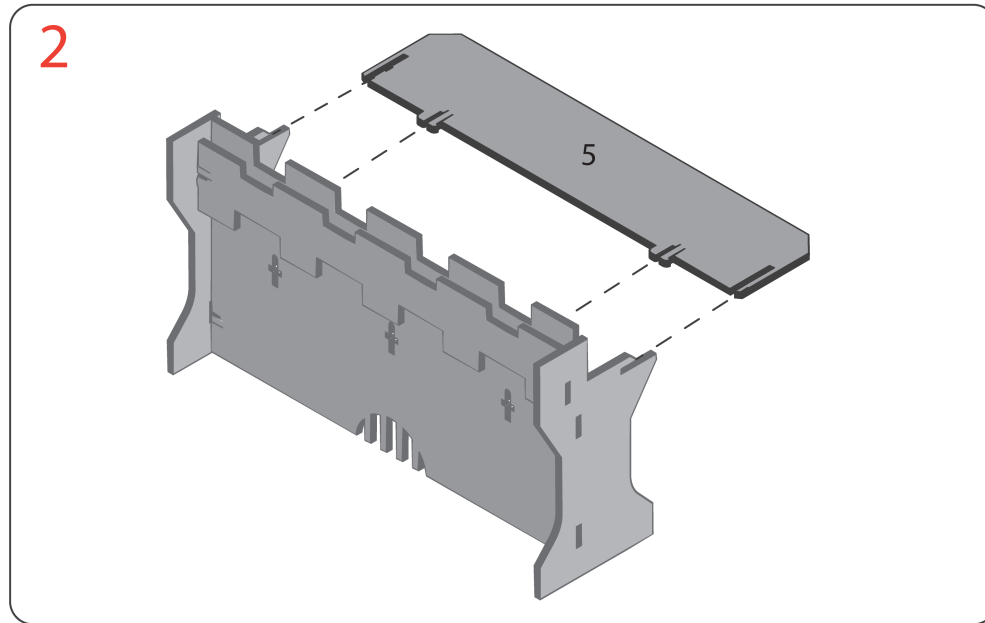
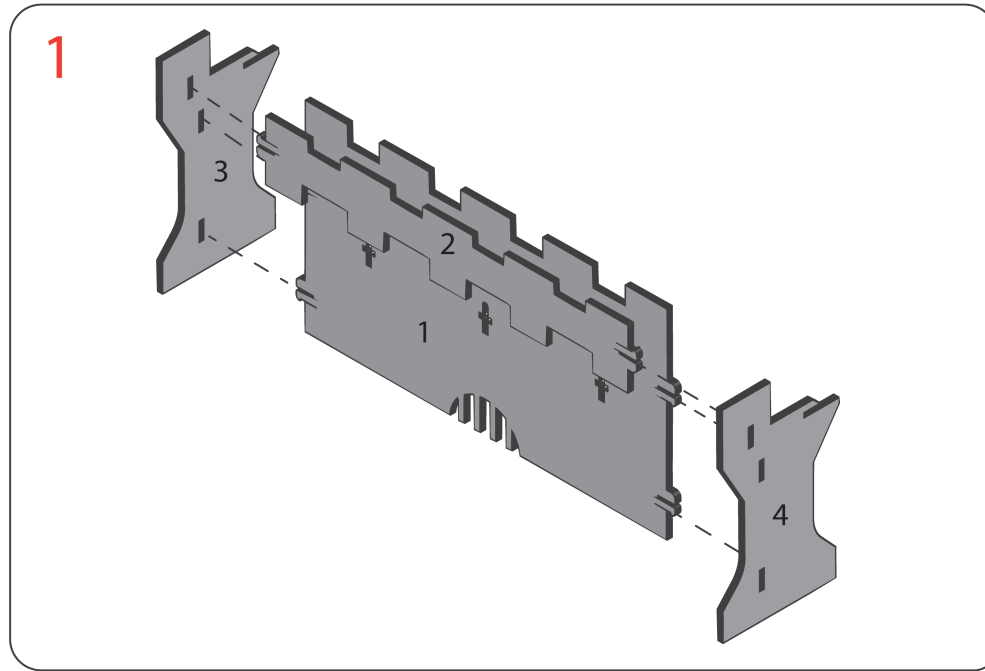
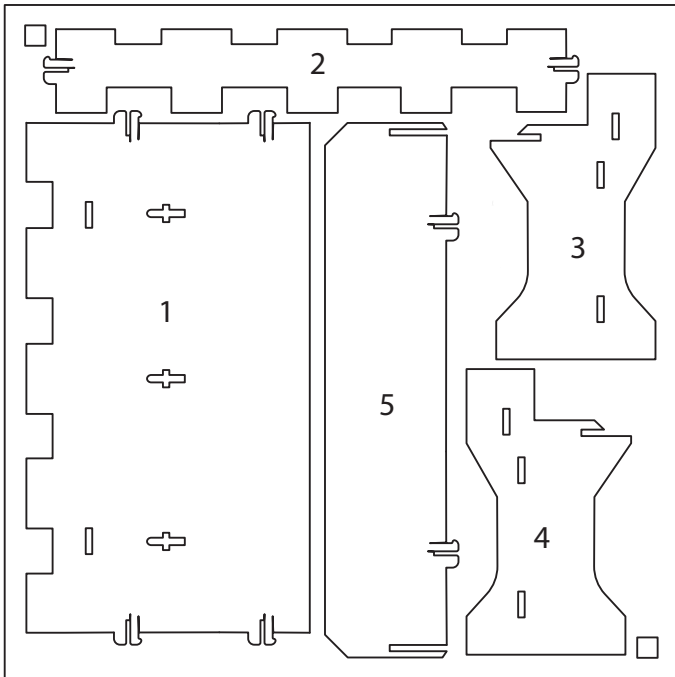
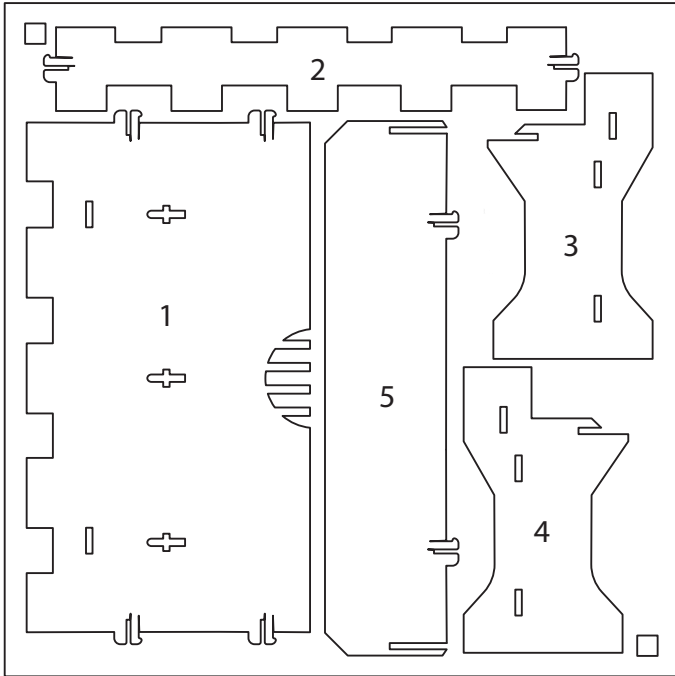


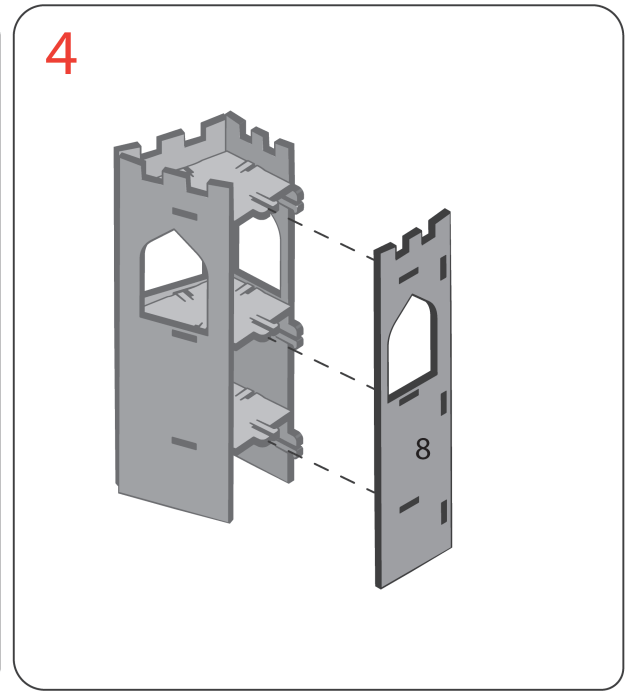
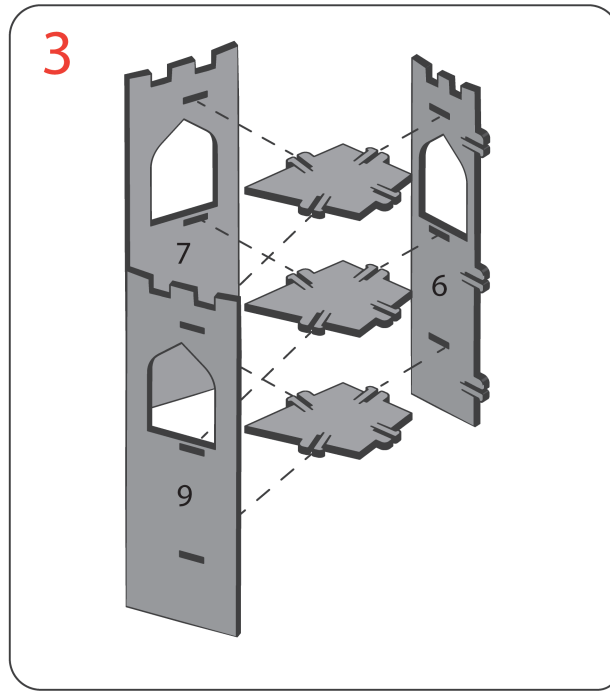
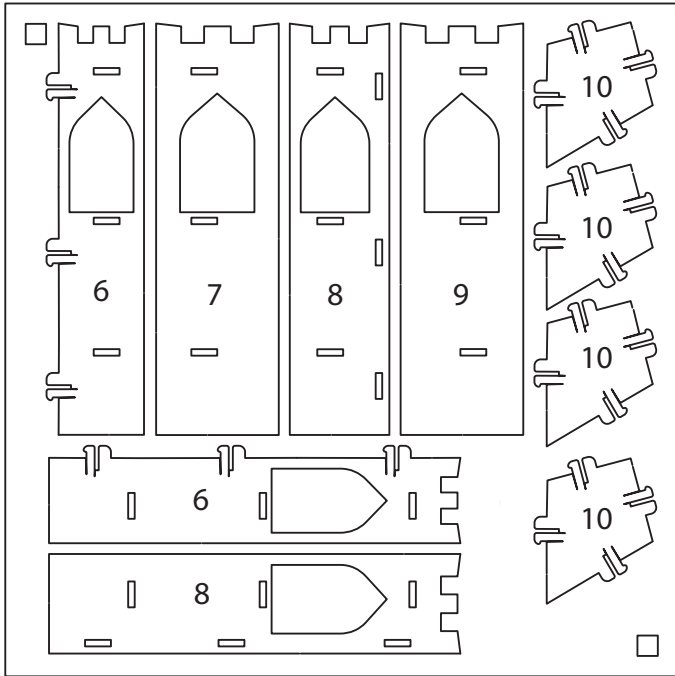
Please remove elements out of frame carefully



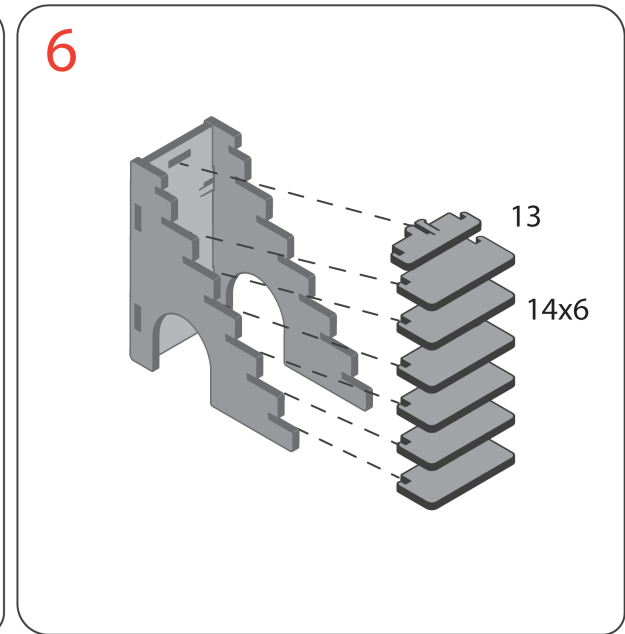
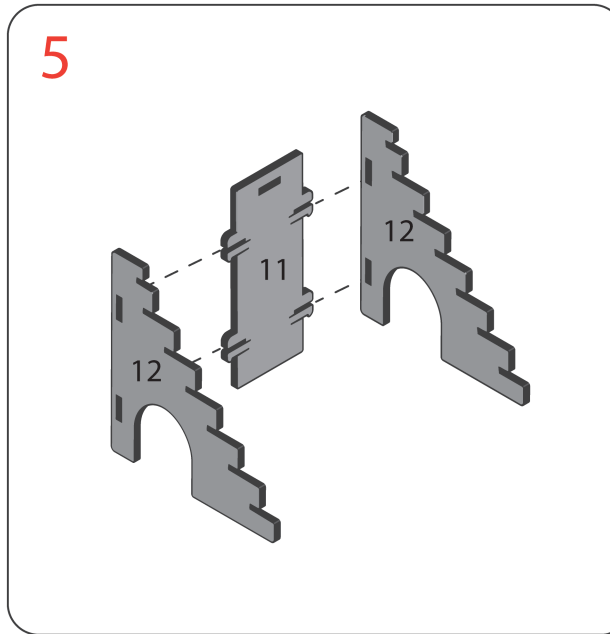
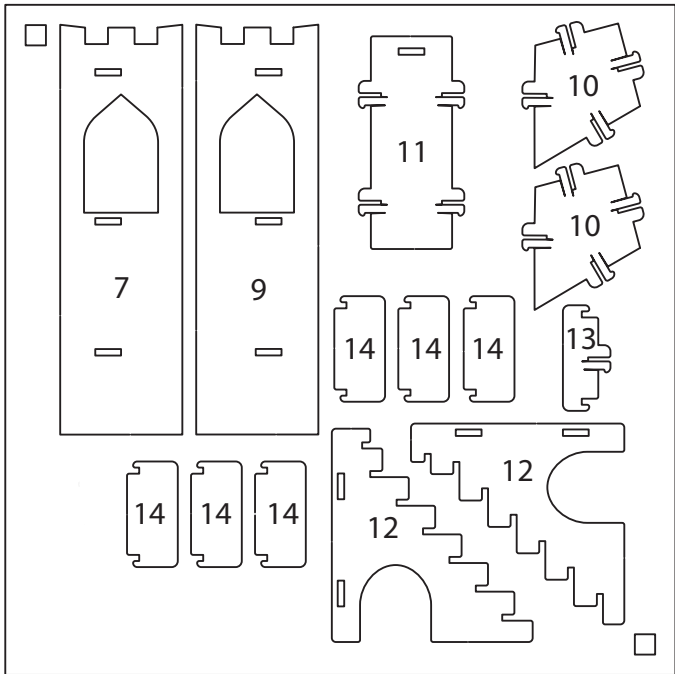
x4

It is recommended to use a blade at the cutline to punch the element out of the sheet easier.

Please remove elements out of frame carefully



x4



x2

