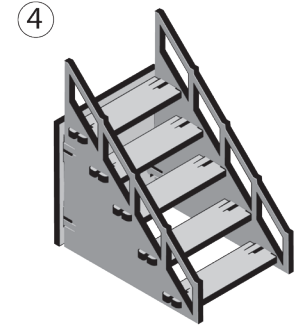
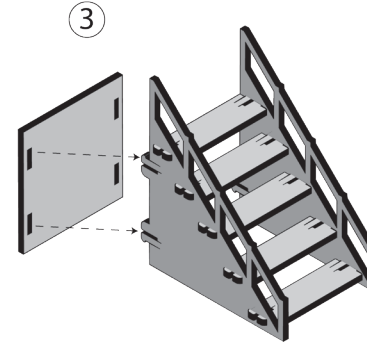
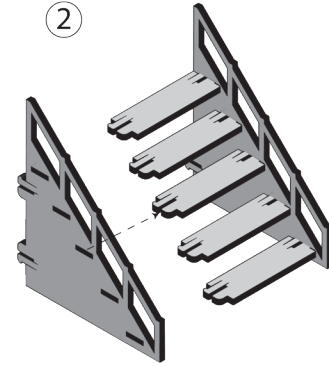
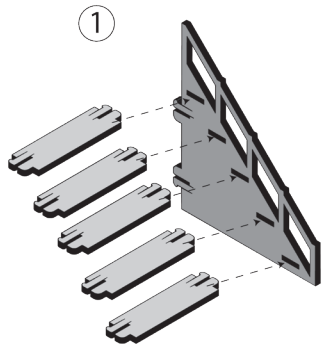
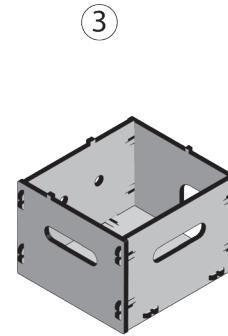
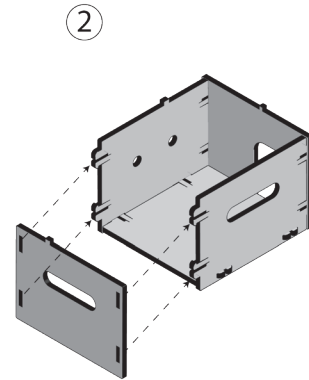
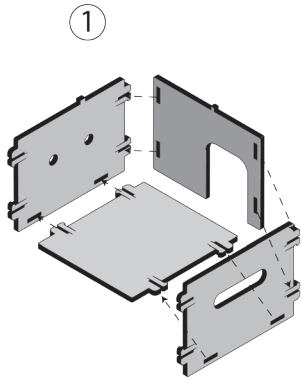


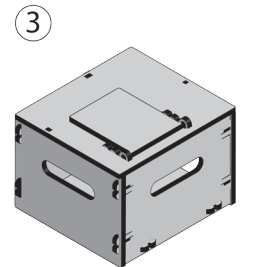
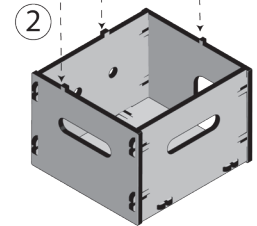
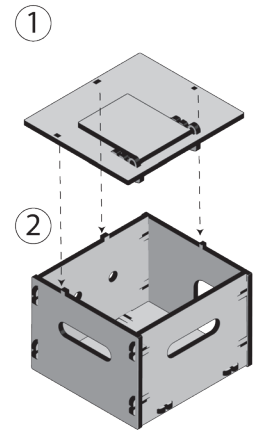
a



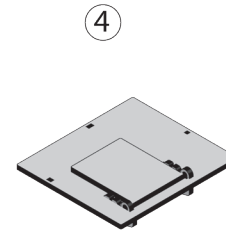
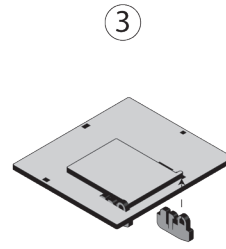
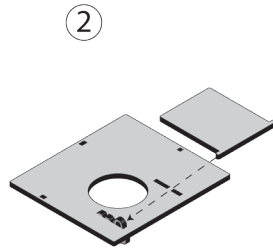
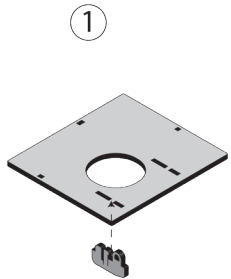
f1



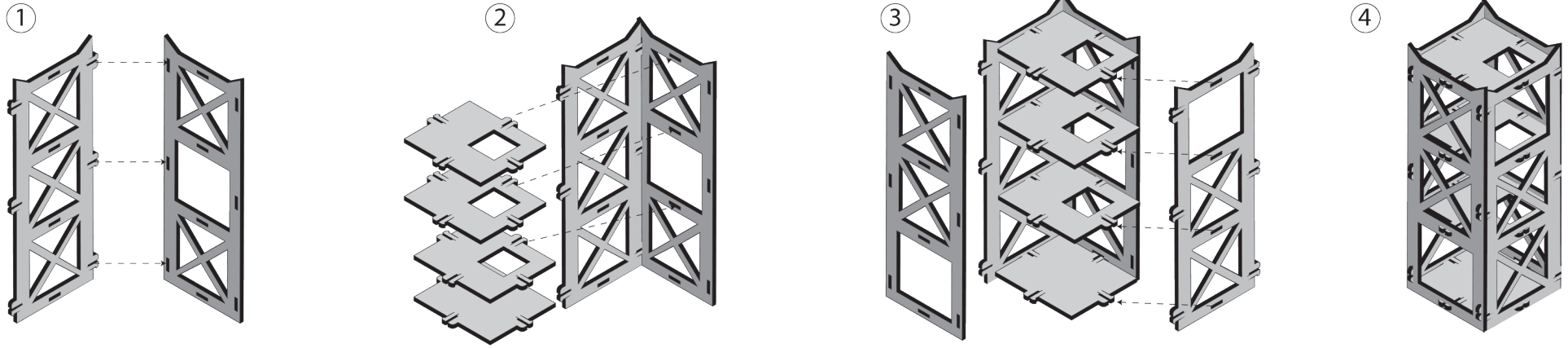
f3



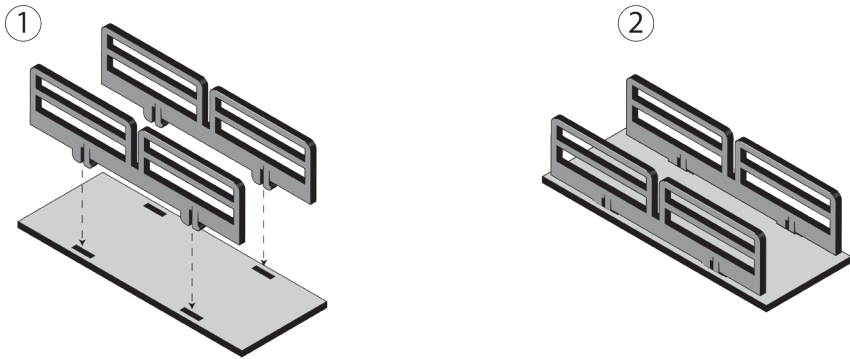
f2



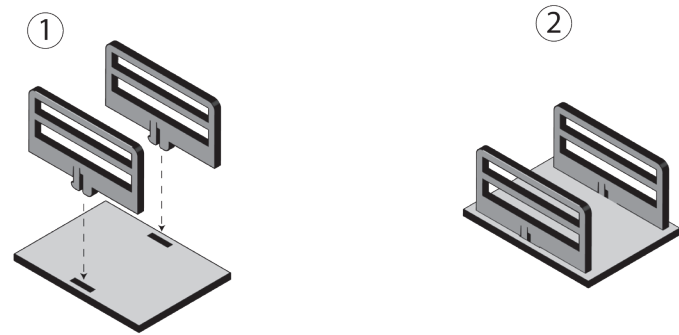
d



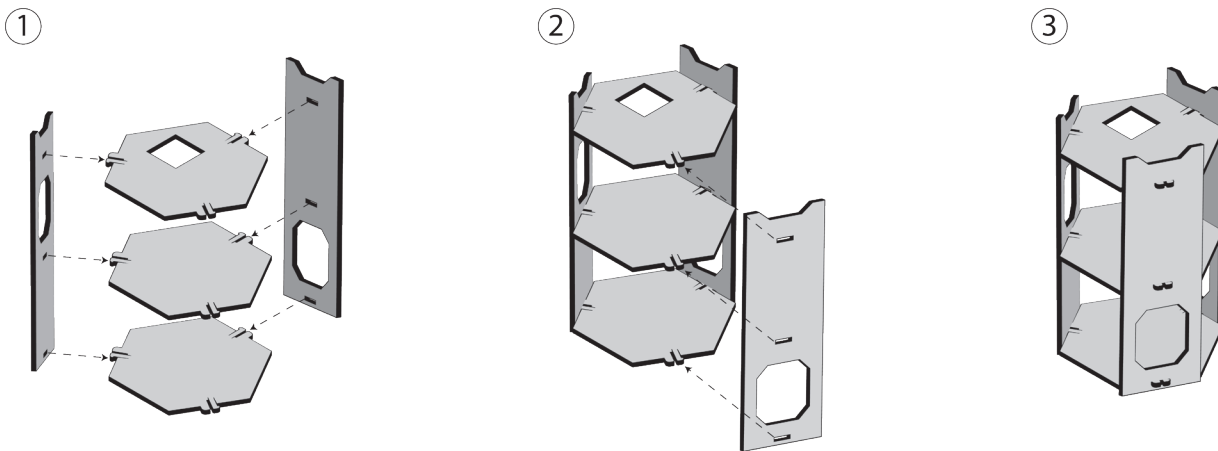
b



c



e

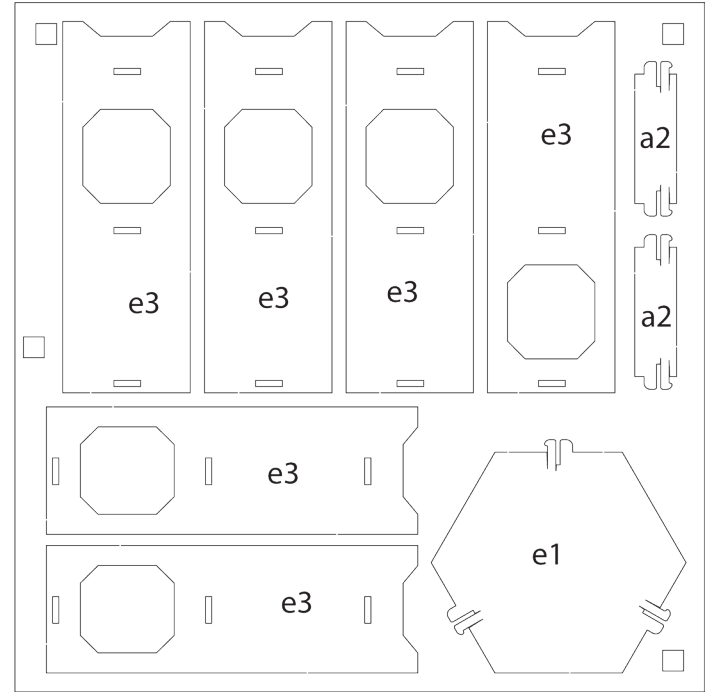
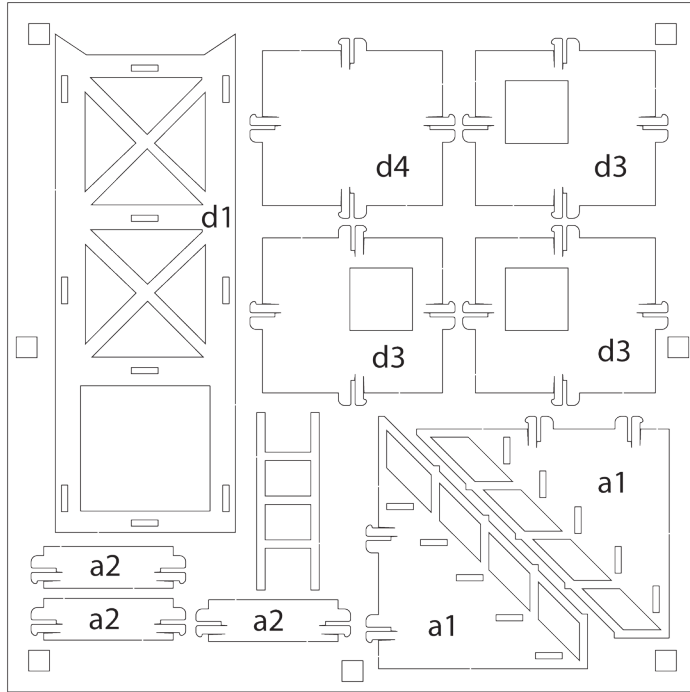
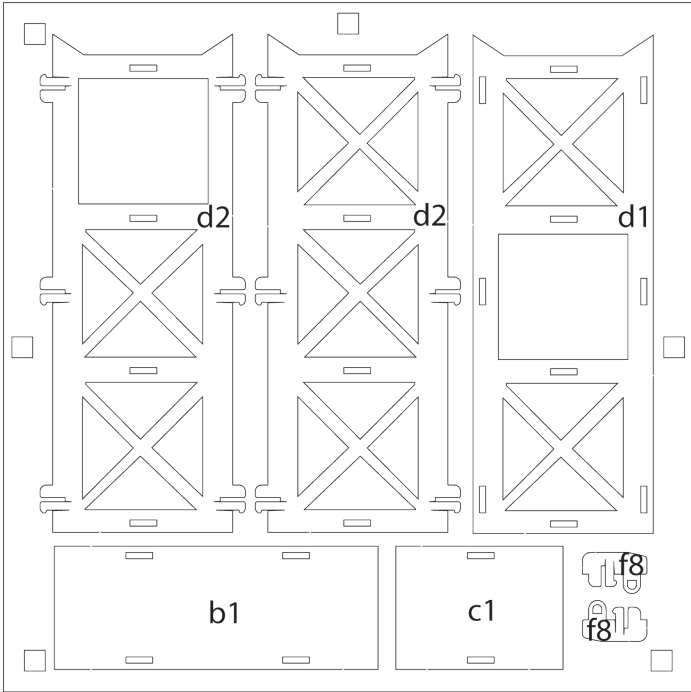


Please remove elements
out of frame carefully

It is recommended to use a blade at the
cutline to punch element out of sheet
easier

Assemble based on element letter
Then from number first to last

HAVE FUN!



Isolated Building

