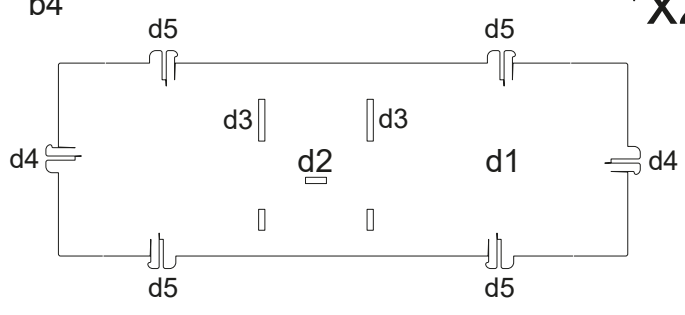
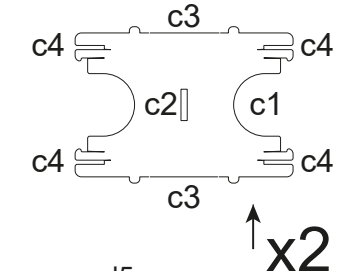
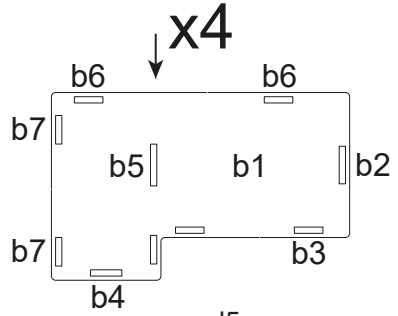
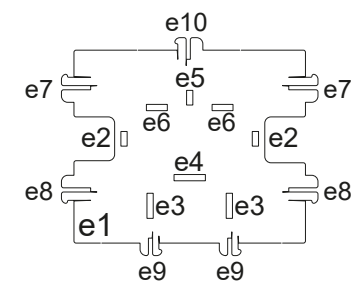
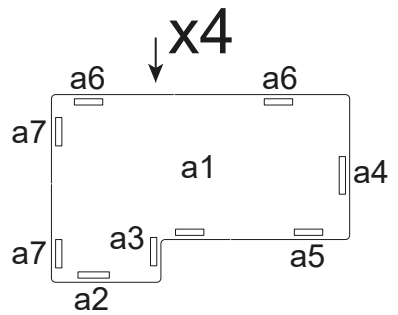
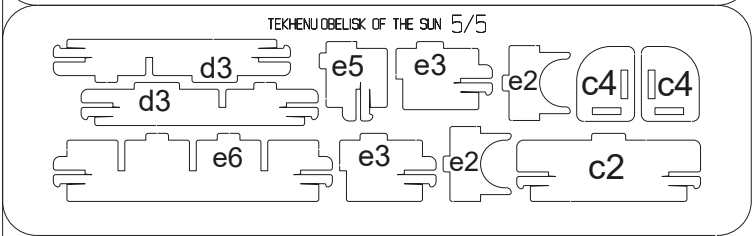
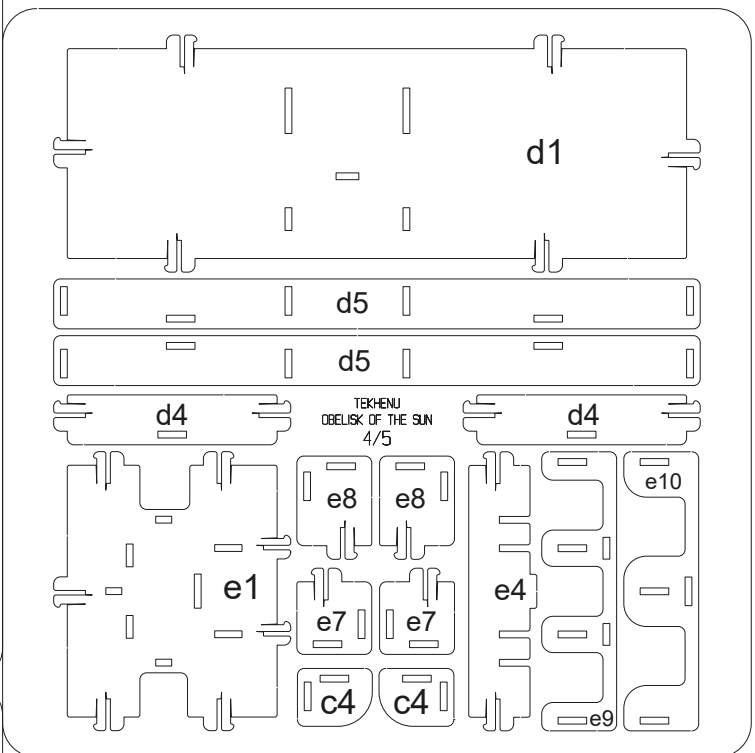
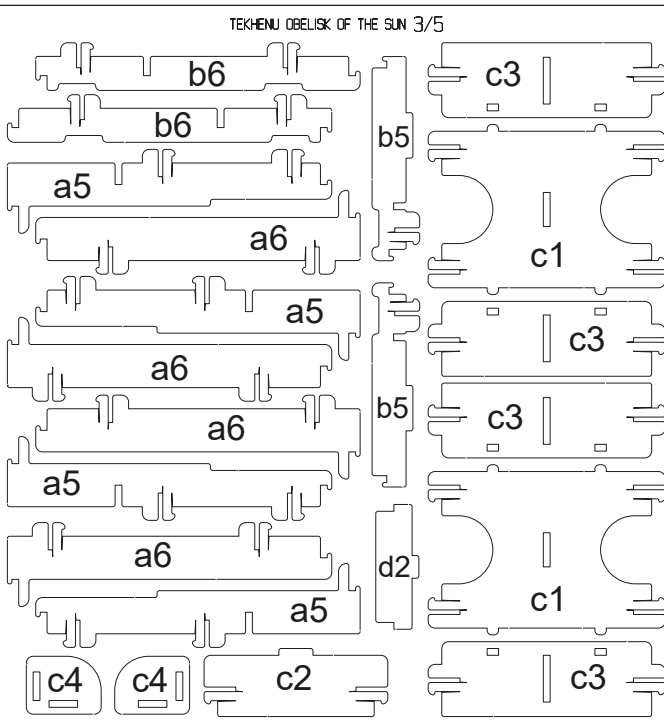
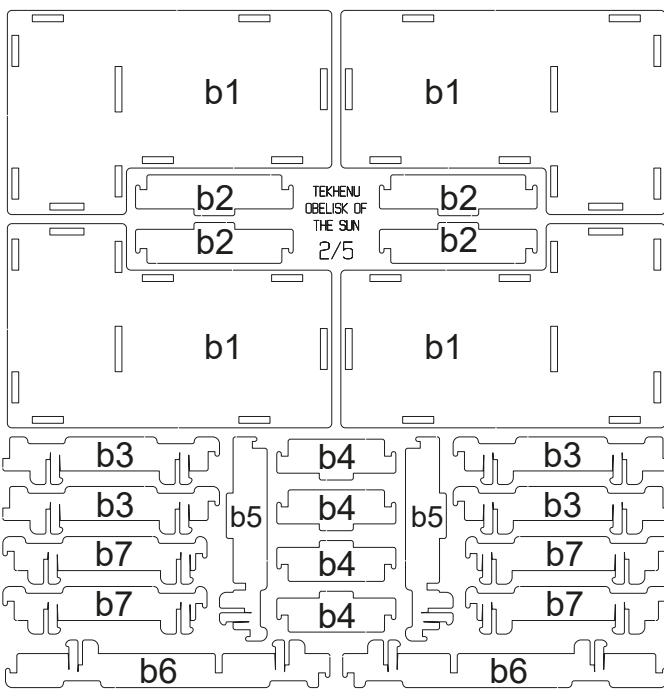
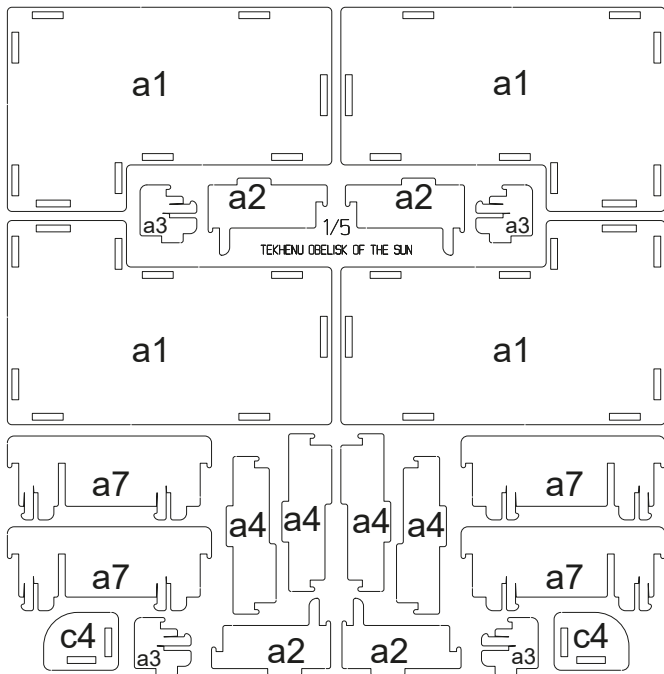


Please remove elements out of frame carefully.



Assemble based on base element letter then according to numbers from first to last.

Example: while assembling **a1** start by inserting all elements **a** into base element **a1**, then all elements **a2** and so on.

Compatible with the game:  
TEKHENU - OBELISK OF THE SUN