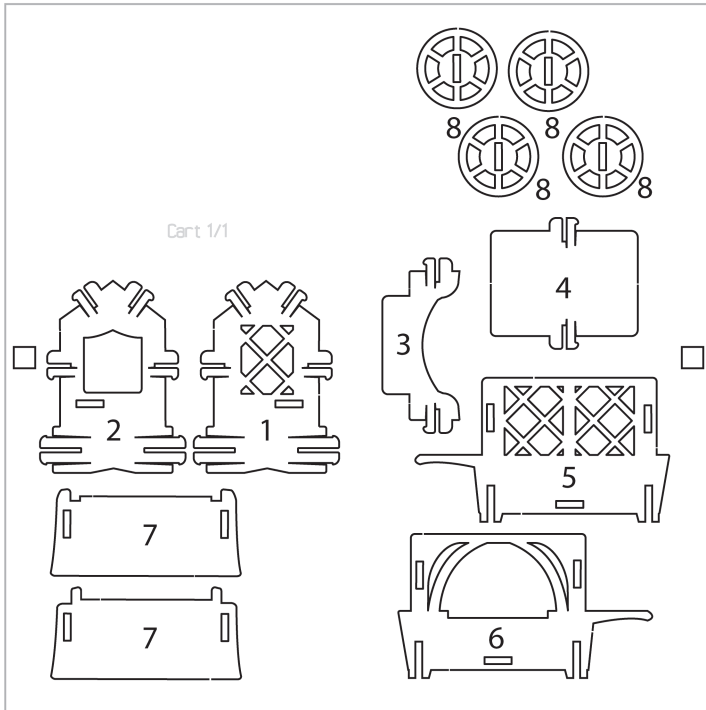


Please remove elements out of frame carefully



It is recommended to use a blade at the cutline to punch the element out of the sheet easier.

