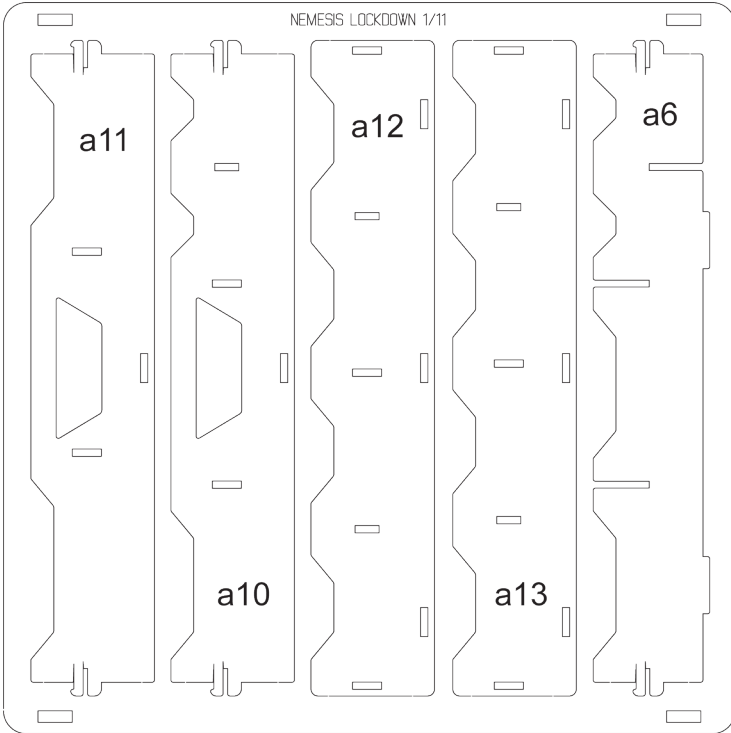
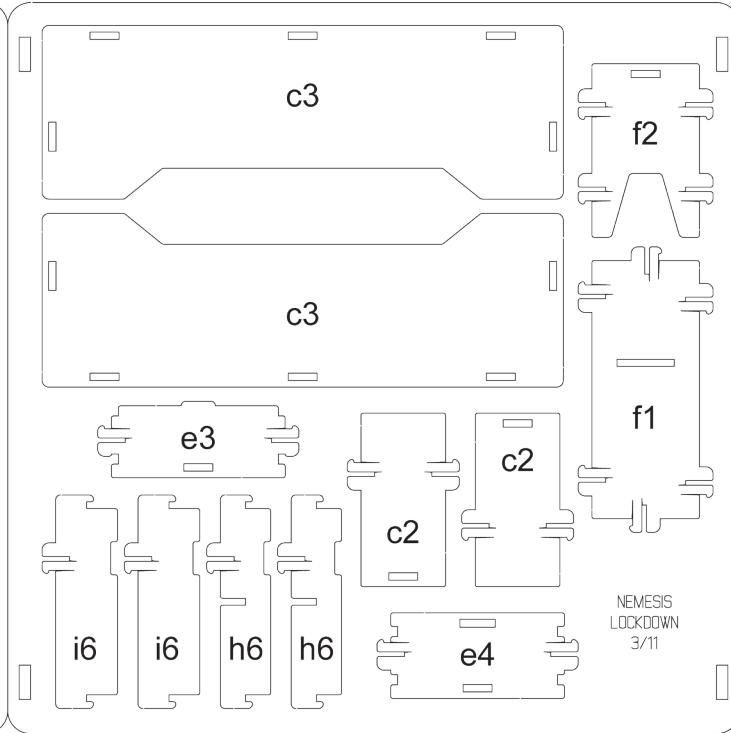
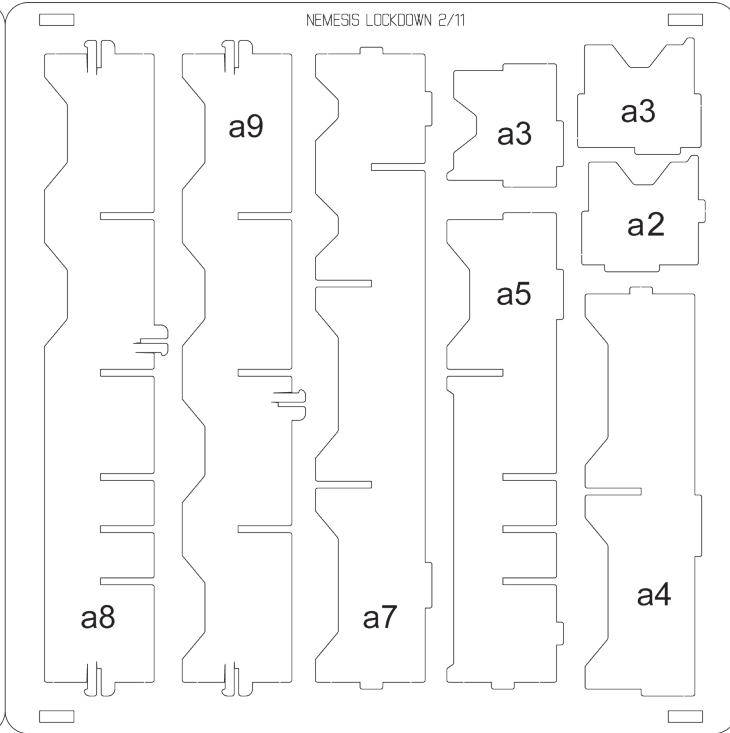


NEMESIS LOCKDOWN 1/11



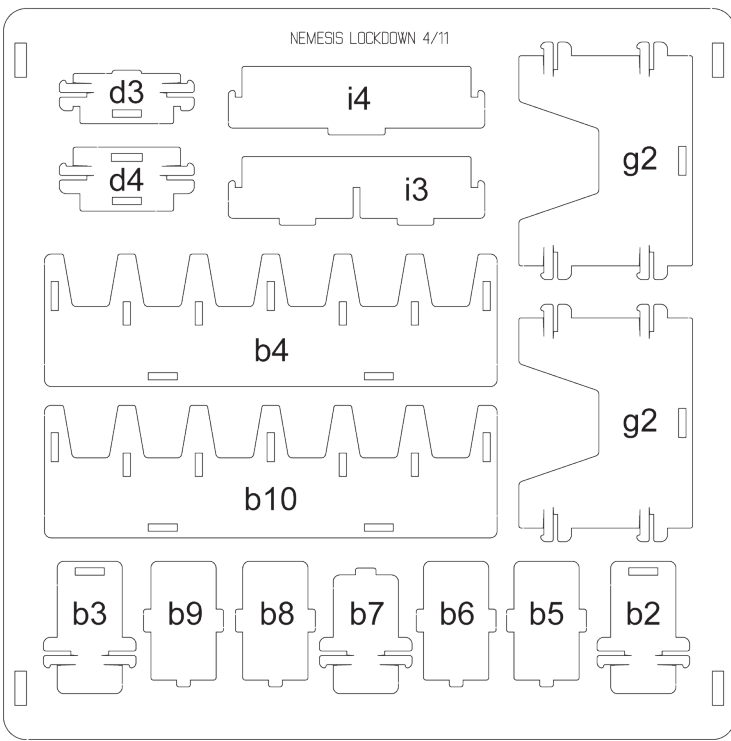
NEMESIS LOCKDOWN 2/11



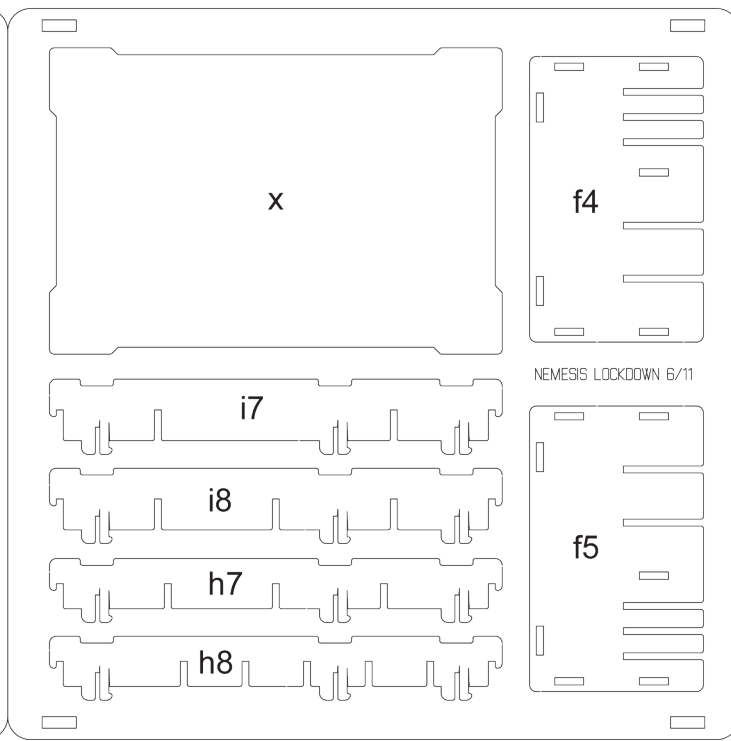
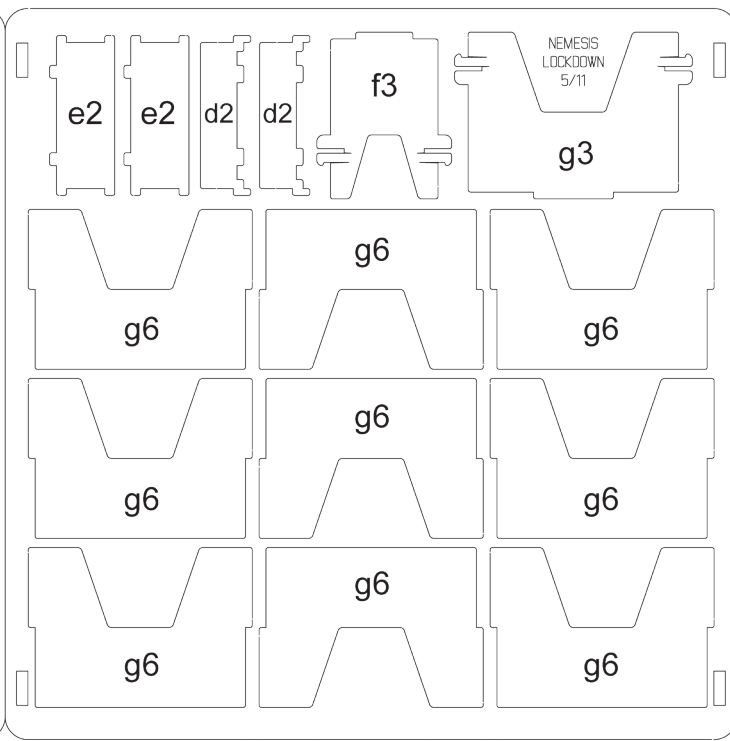
NEMESIS LOCKDOWN 3/11

Please remove elements out of frame carefully.

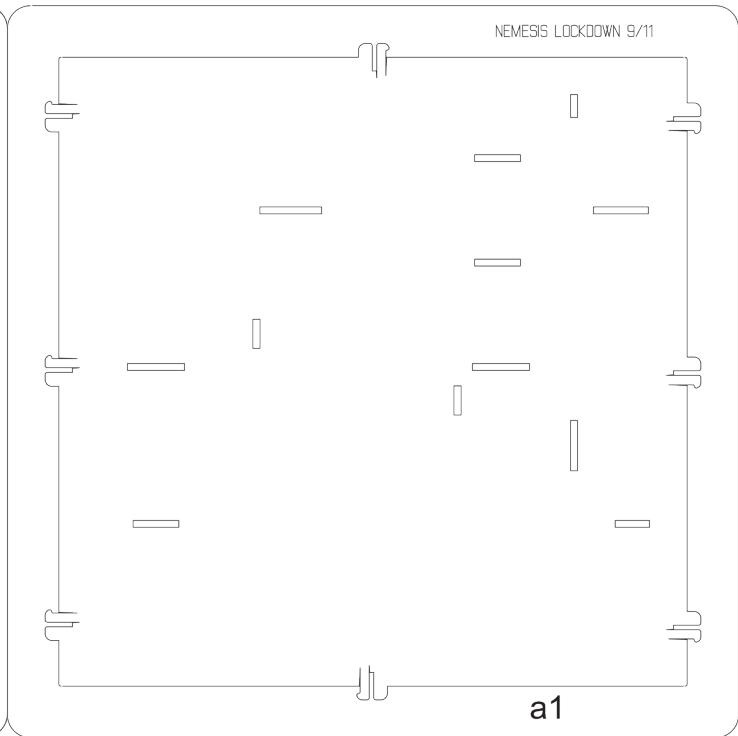
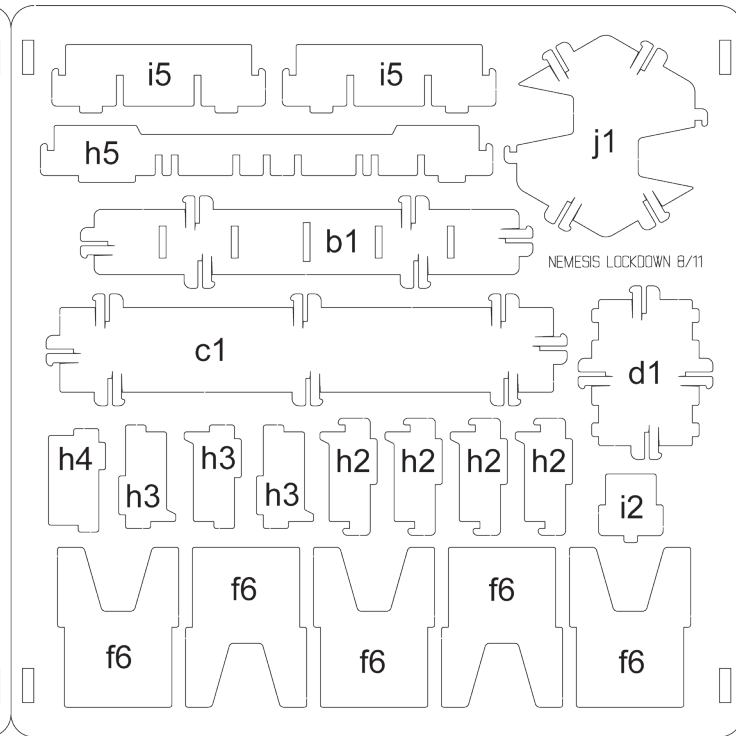
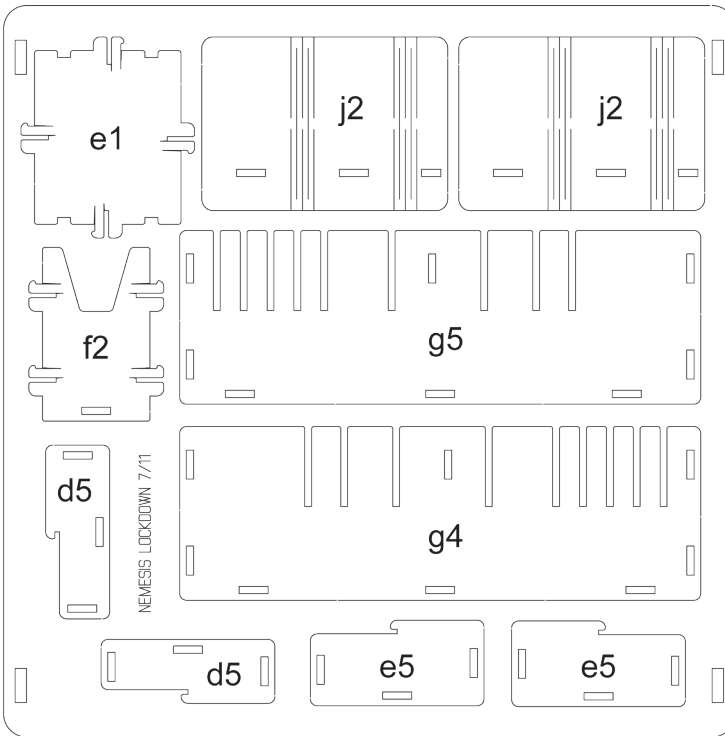
NEMESIS LOCKDOWN 4/11



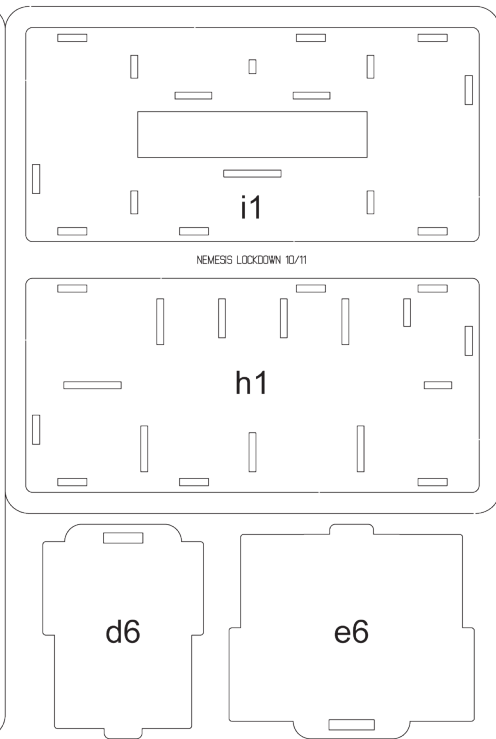
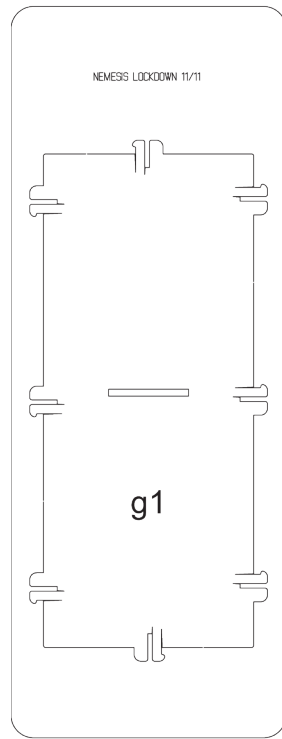
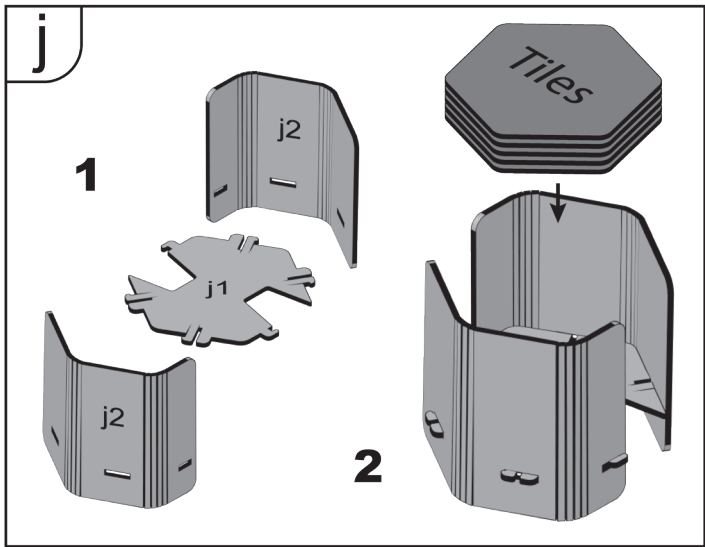
NEMESIS LOCKDOWN 5/11



NEMESIS LOCKDOWN 6/11



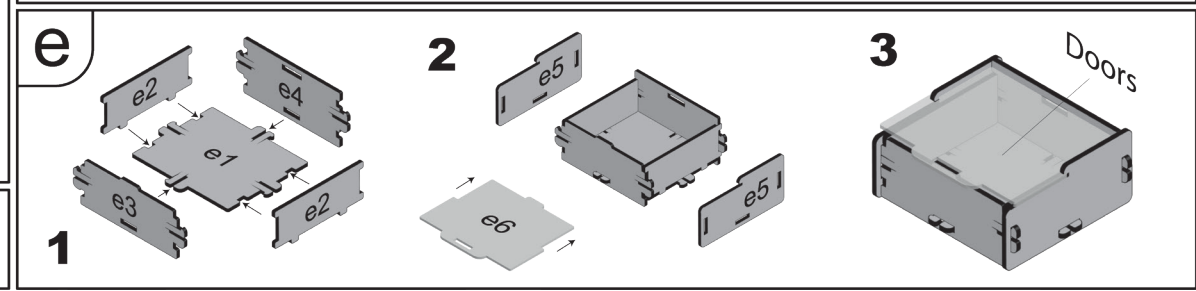
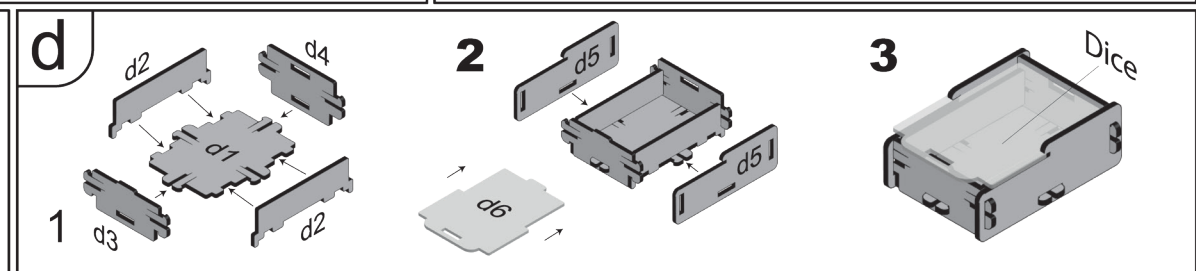
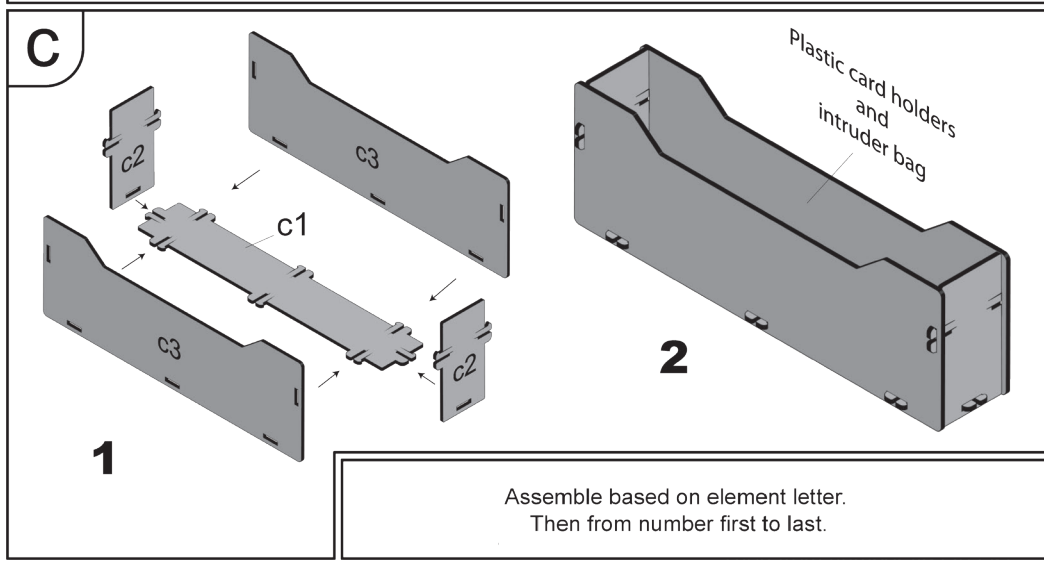
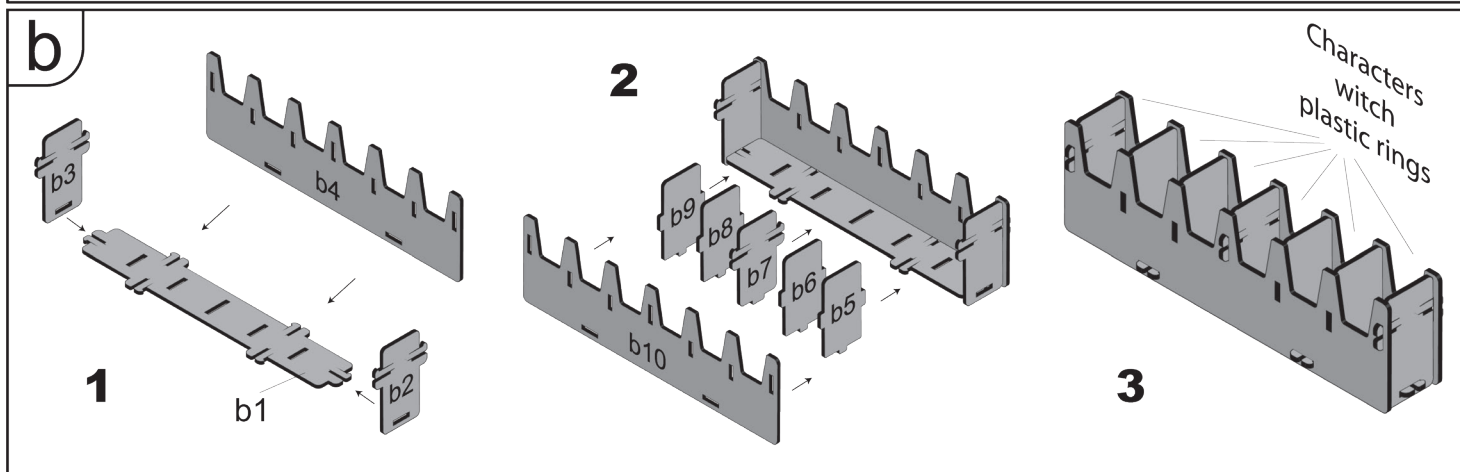
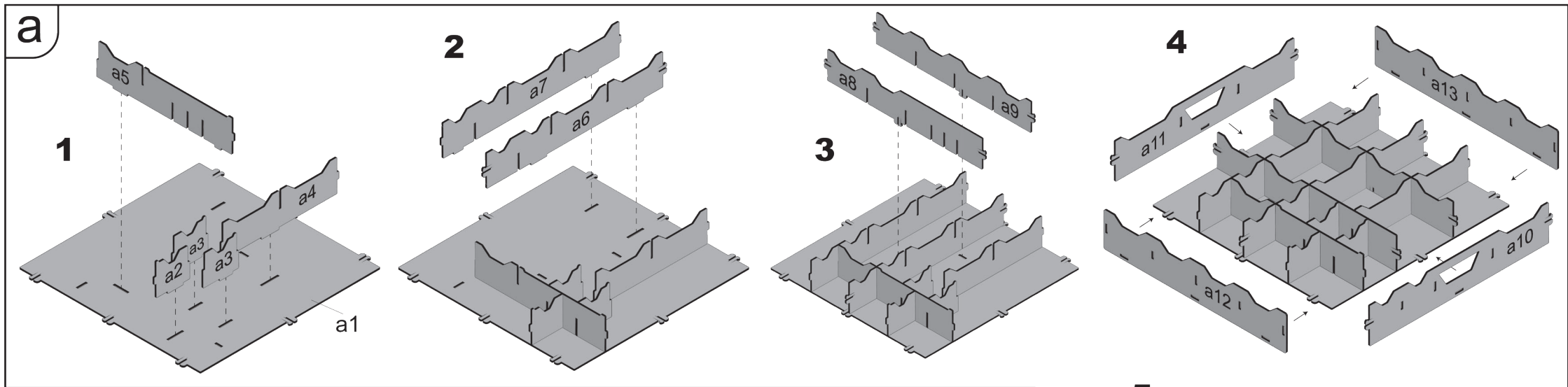
Please remove elements out of frame carefully.



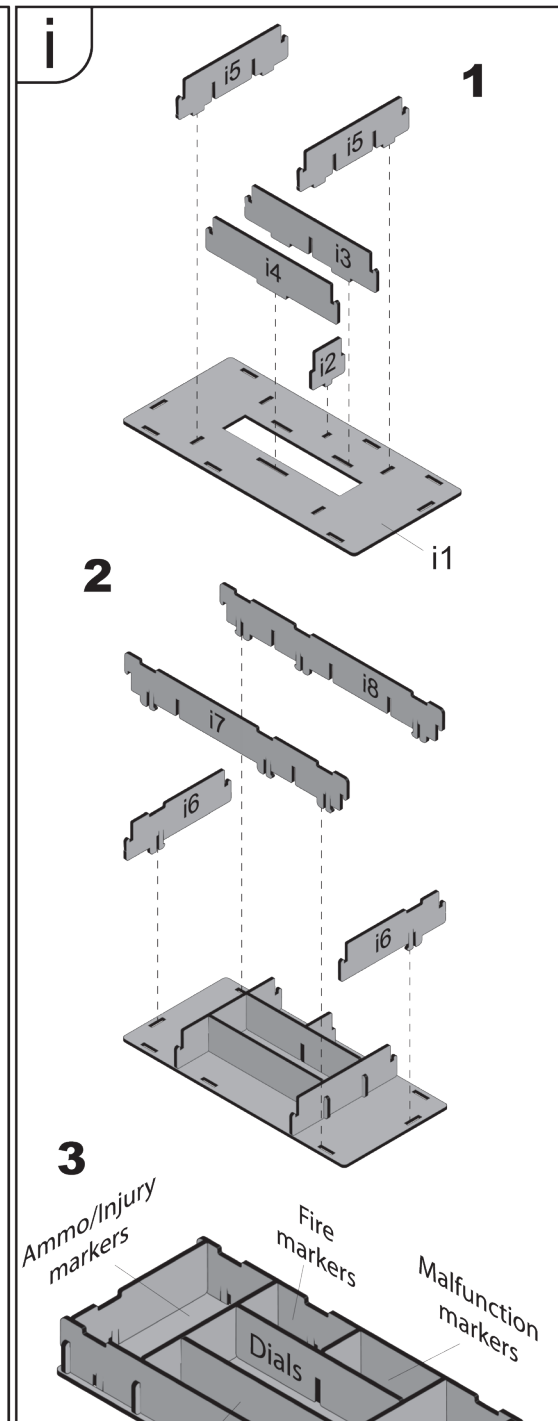
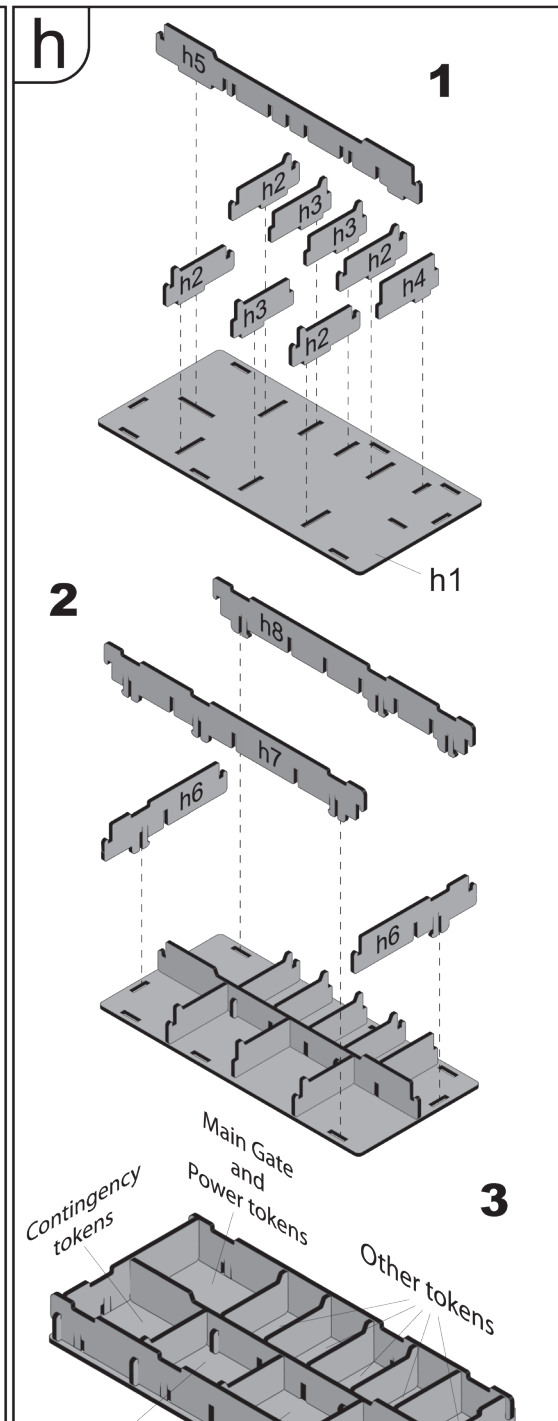
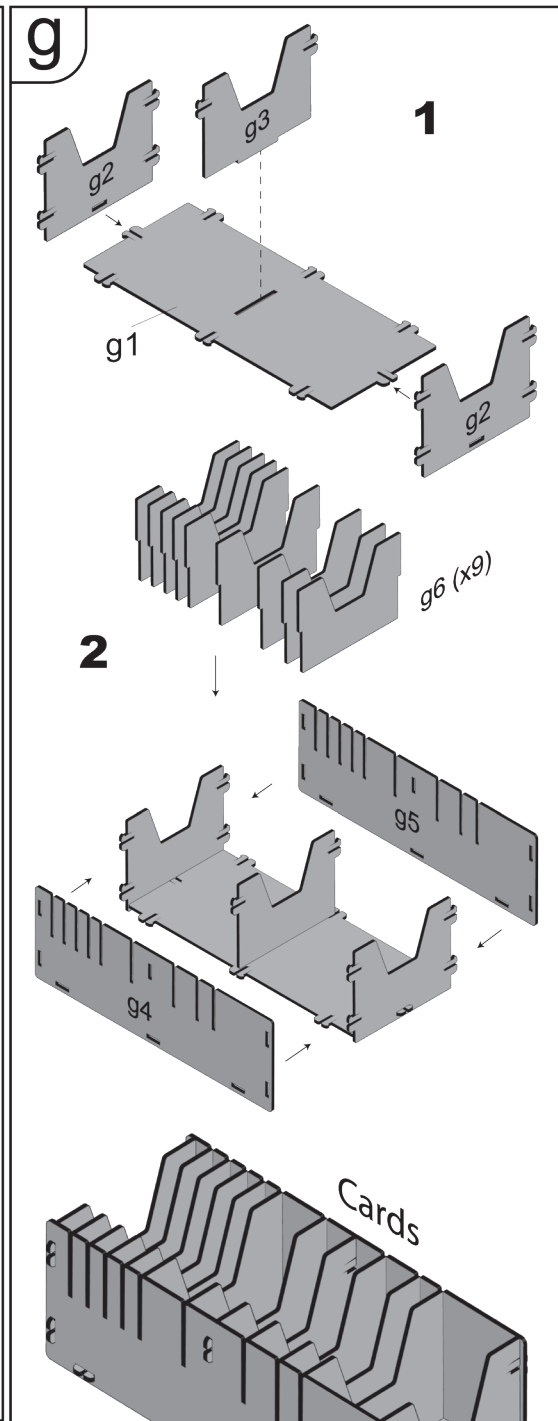
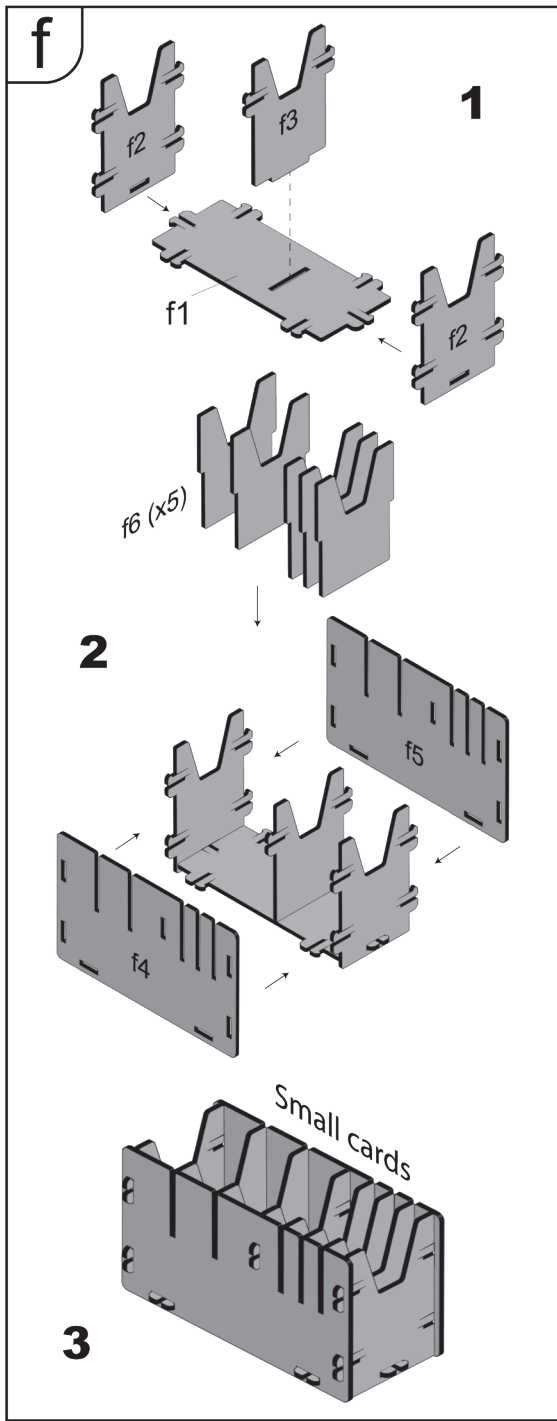
# NEMESIS

## LOCKDOWN

### CORE BOX



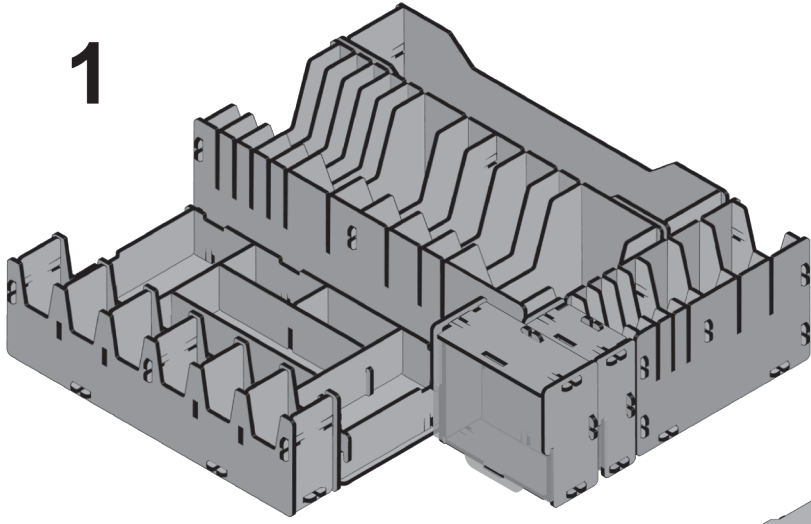
Assemble based on element letter.  
Then from number first to last.



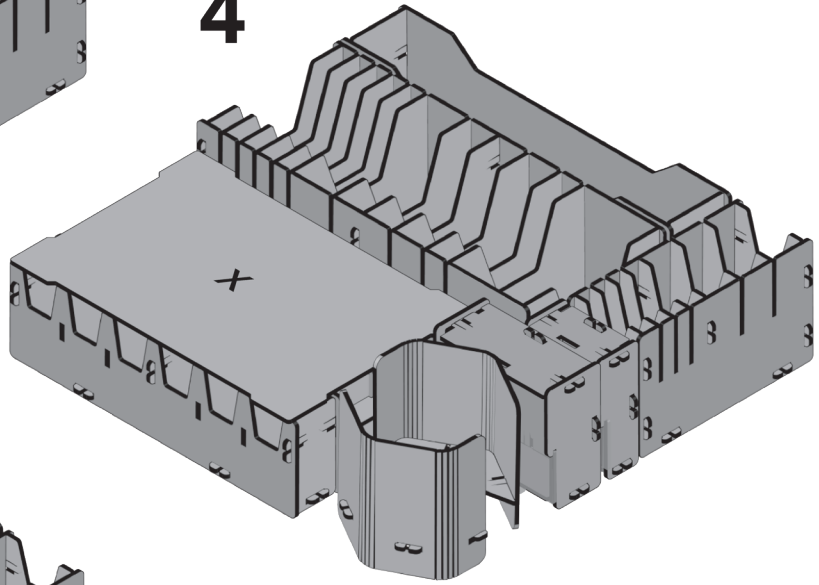
**NEMESIS**  
 LOCKDOWN  
 CORE BOX

How to arrange in a box:

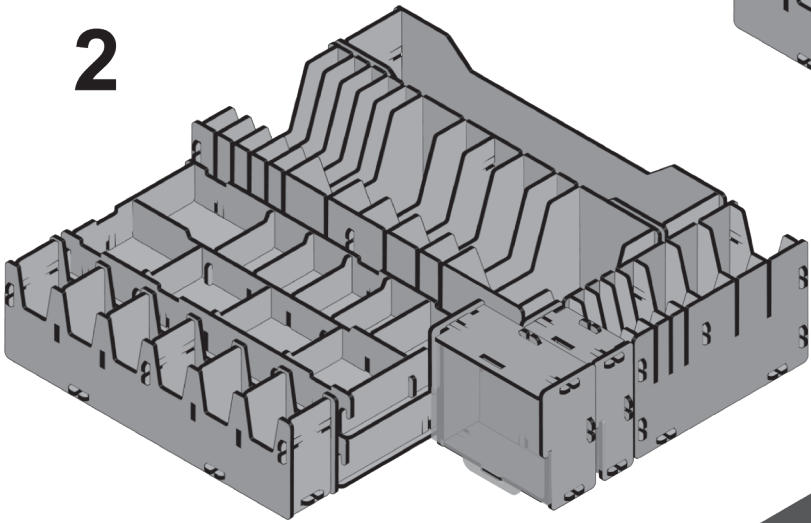
1



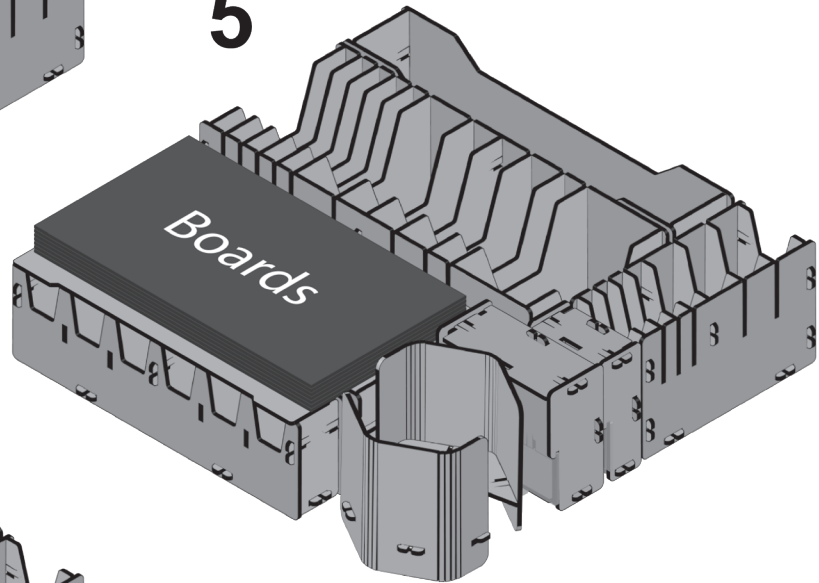
4



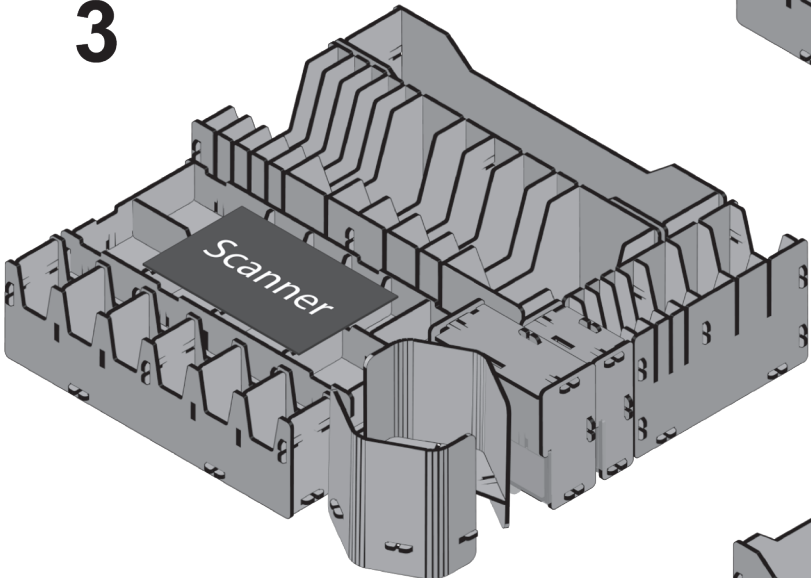
2



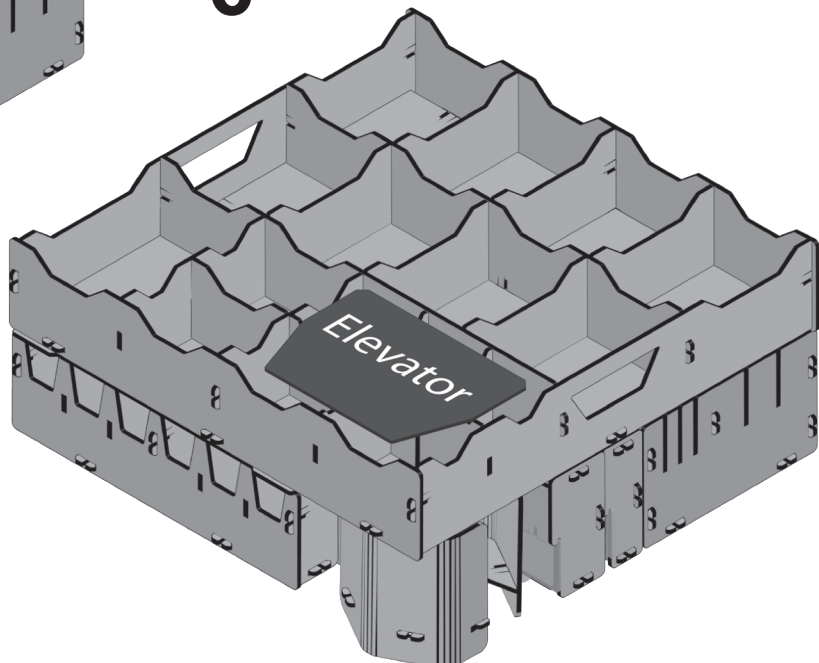
5



3



6



**NEMESIS**

LOCKDOWN

CORE BOX