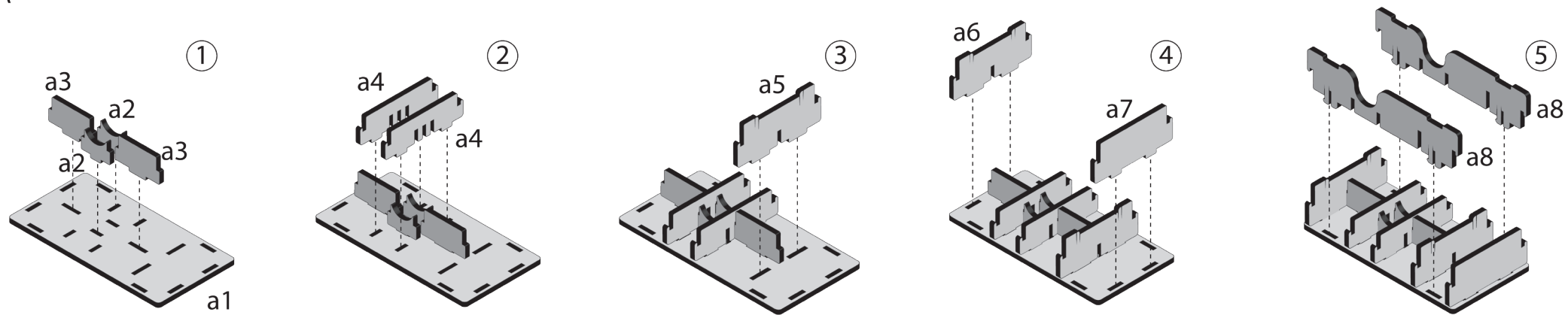
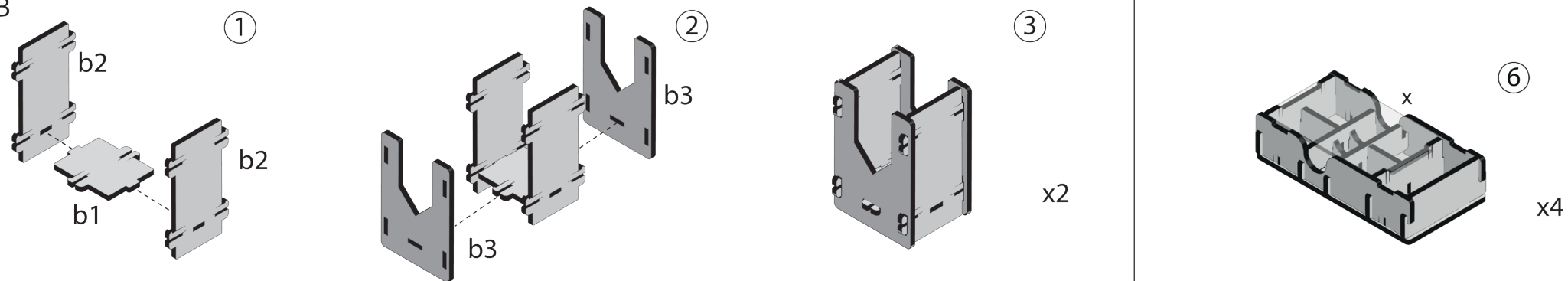


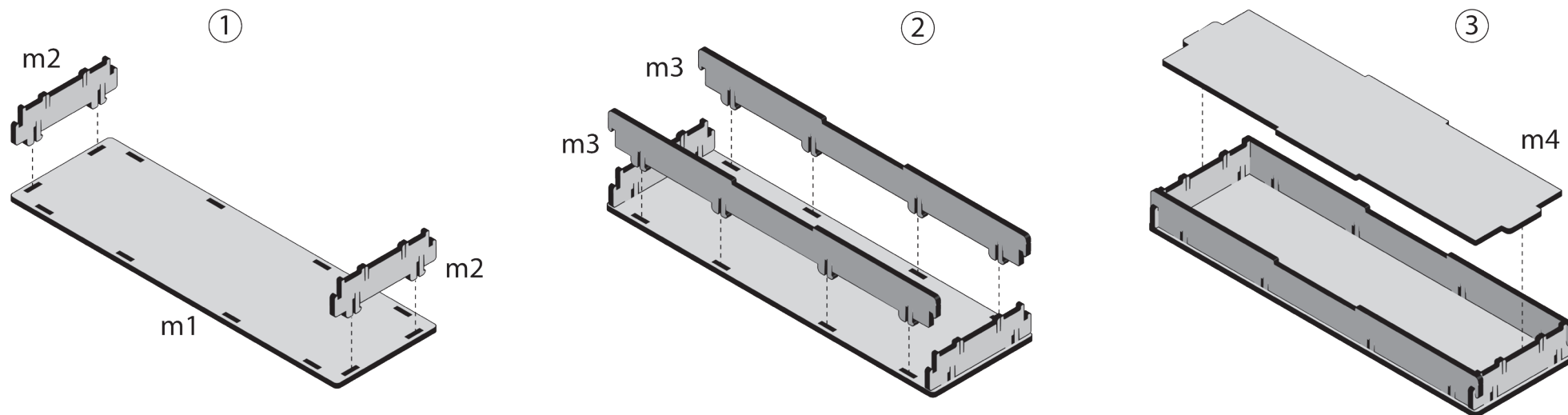
A



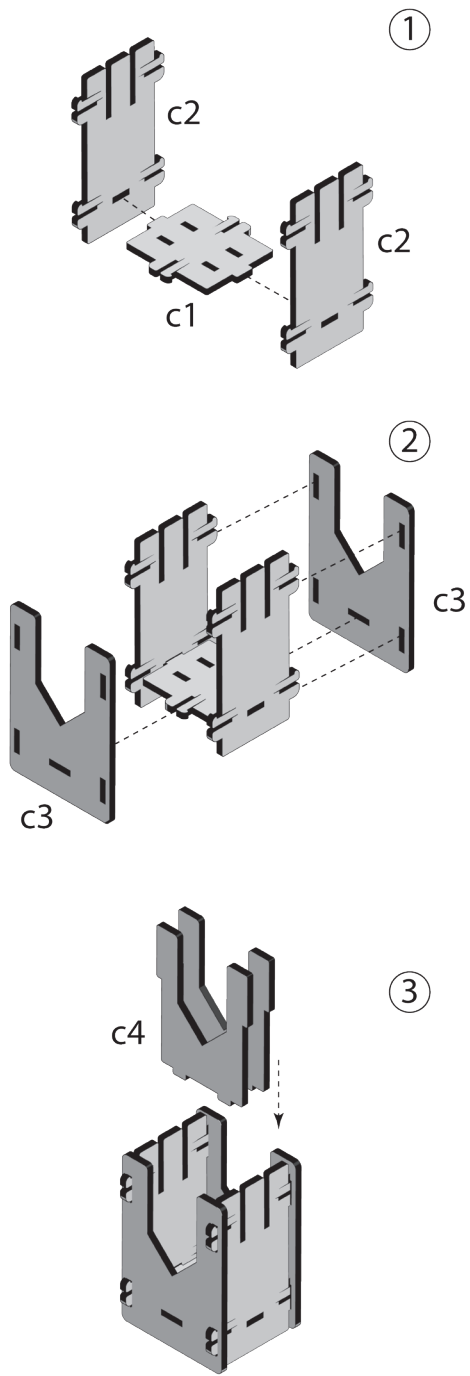
B



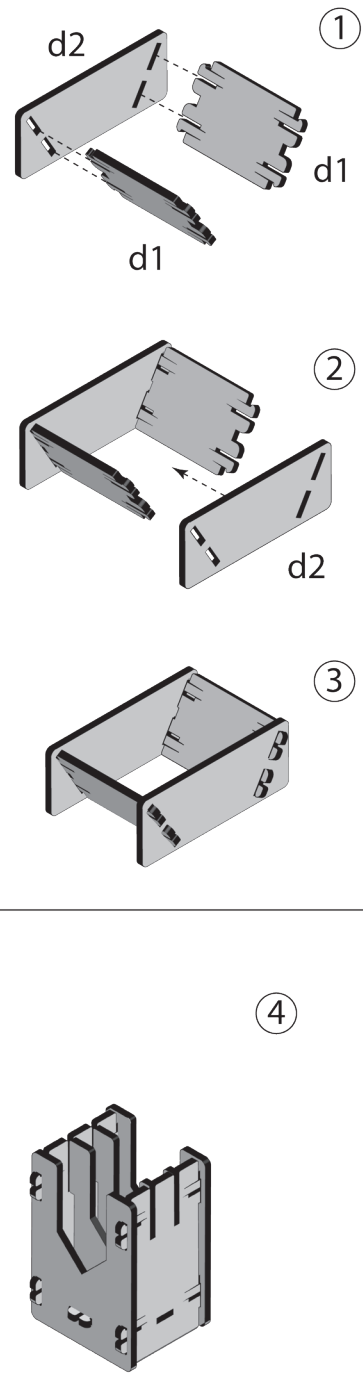
M



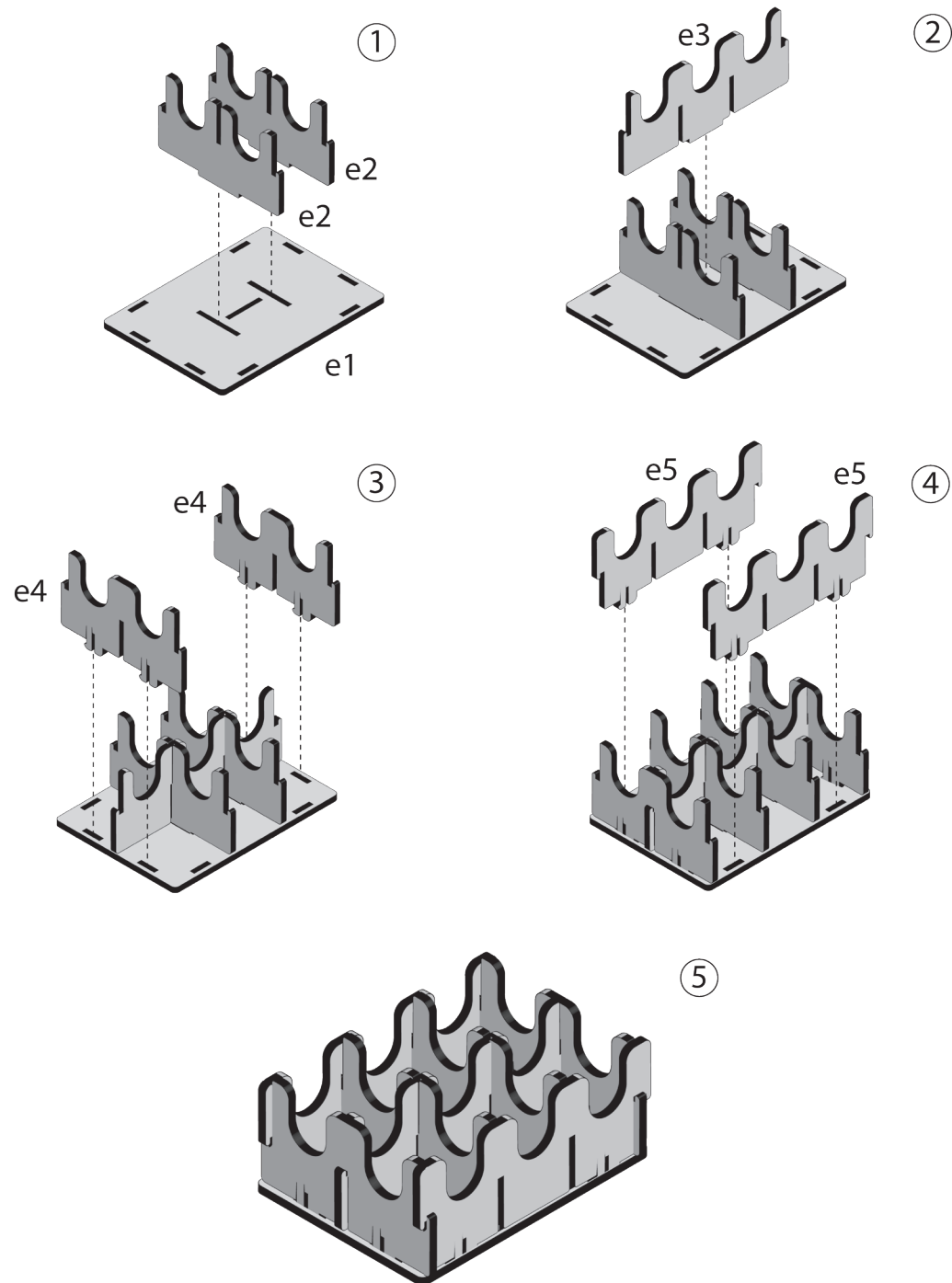
C

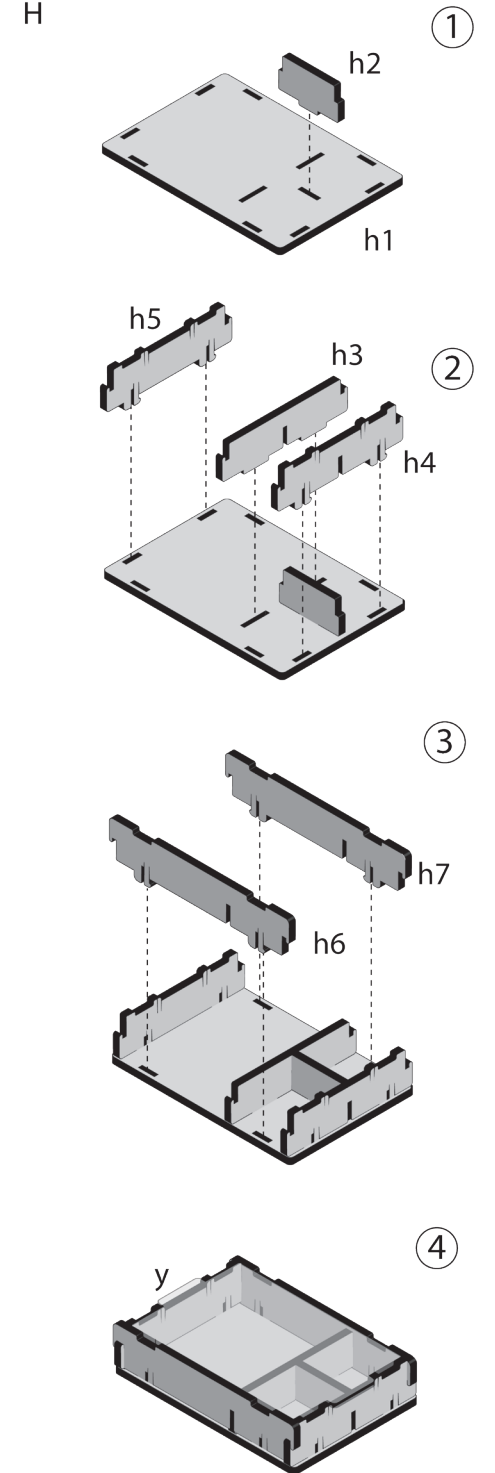
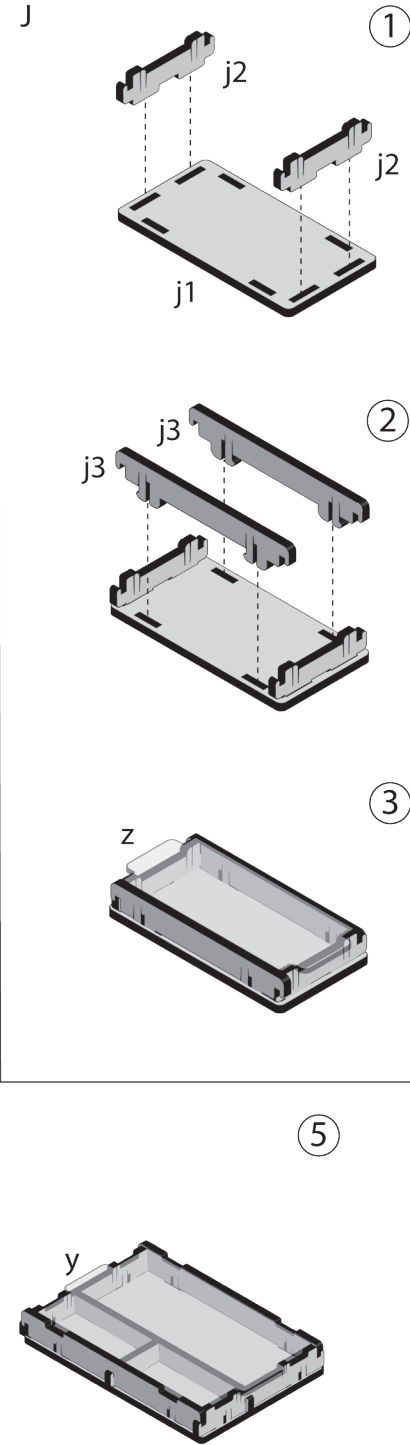
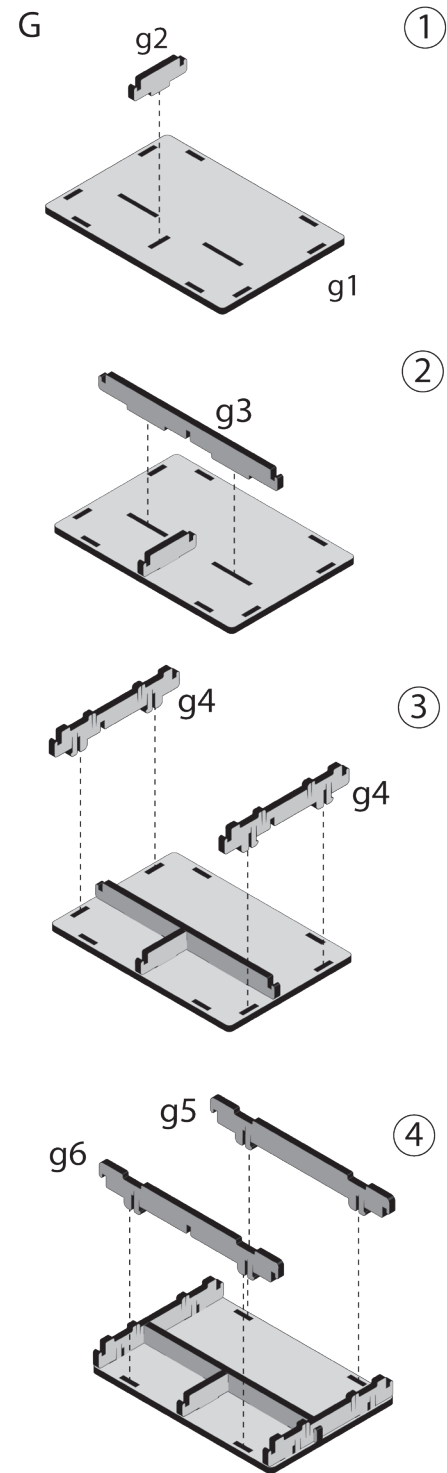
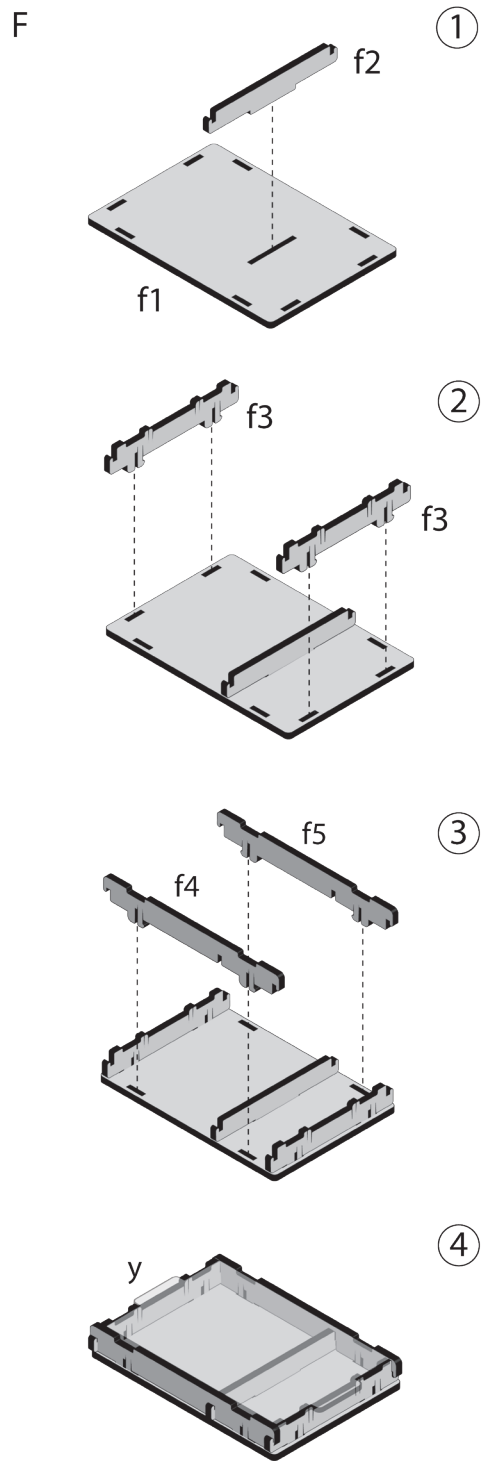


D

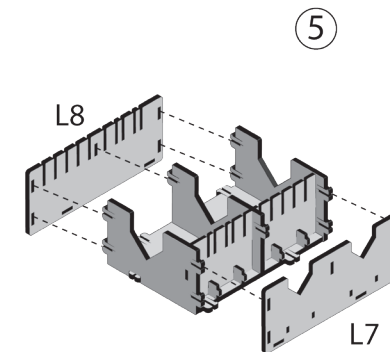
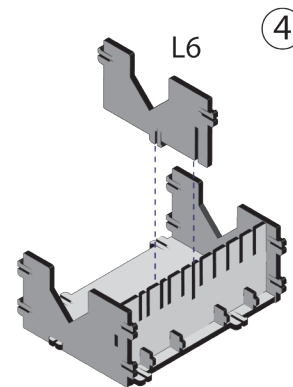
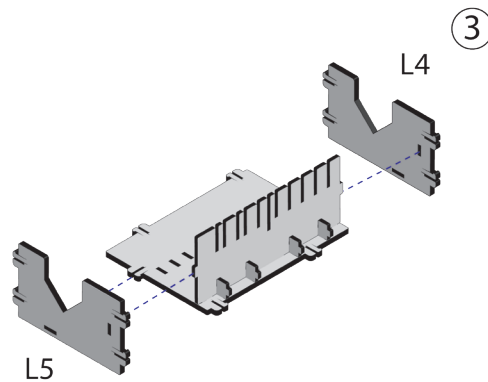
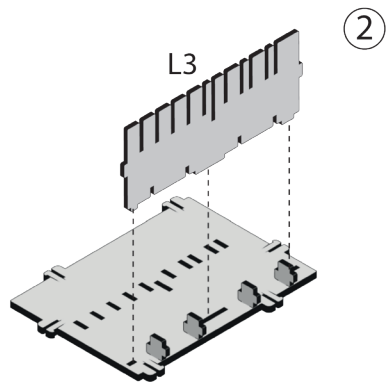
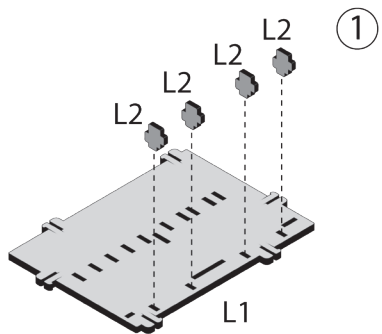


E

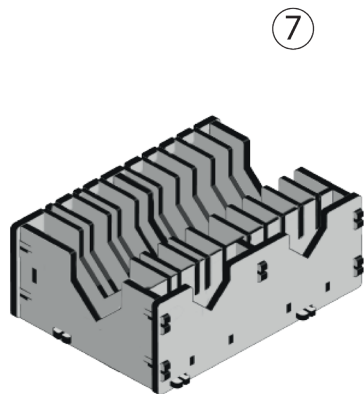
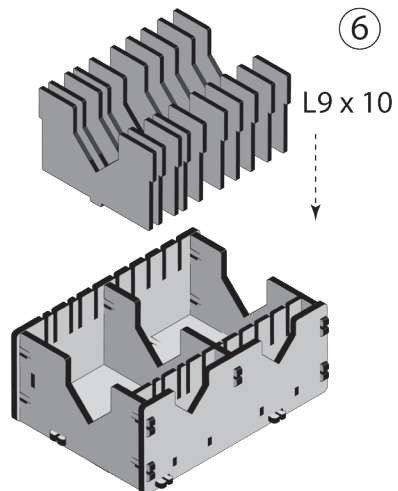




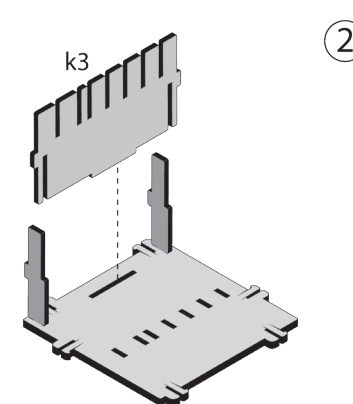
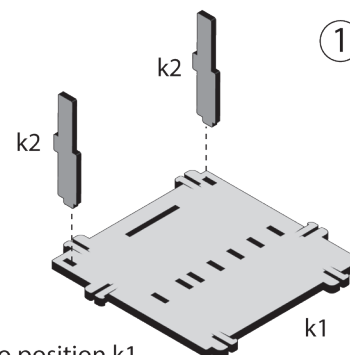
L



Make sure to position L1 exactly like shown.
Flip the element over if necessary.



K



Make sure to position k1 exactly like shown.
Flip the element over if necessary.

