

Insert compatible with the game:

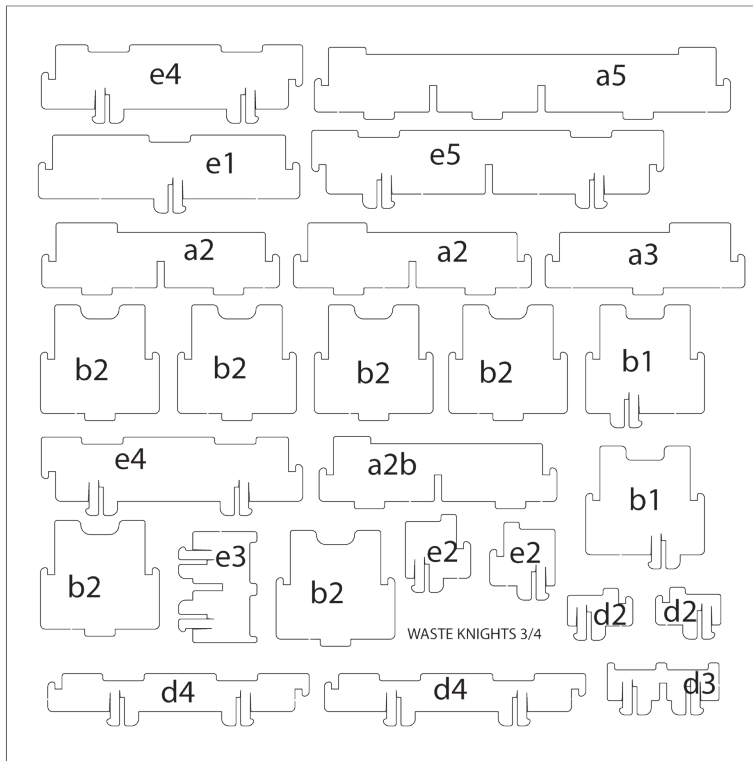
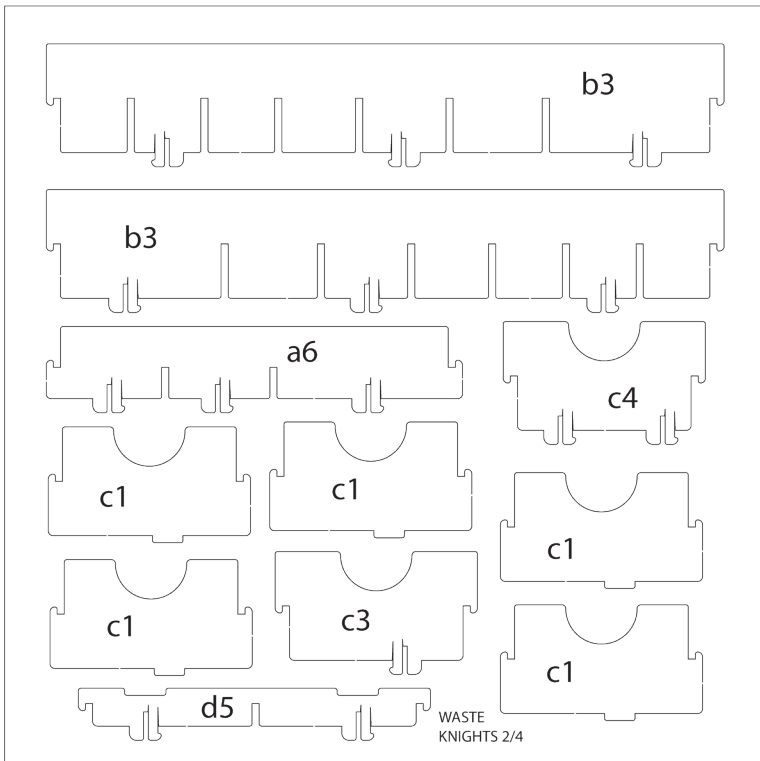
## WASTE KNIGHTS 2nd Edition

Please remove elements out of frame carefully.

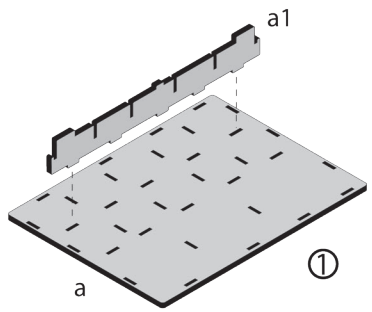
It is recommended to use a blade at the cutline to punch the element out of the sheet easier.

We recommend gluing the felt before the start assembling. Match elements by the letters and numbers.

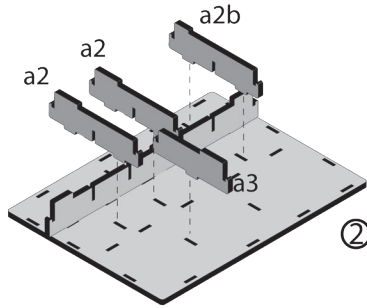
Assemble based on element letter. Then from number first to last.



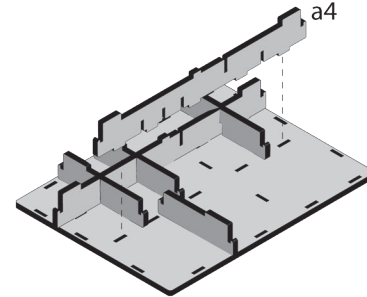
1.



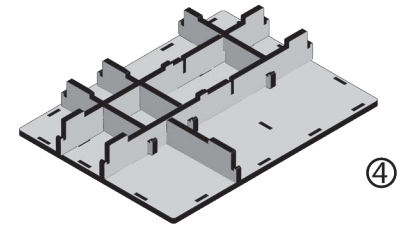
①



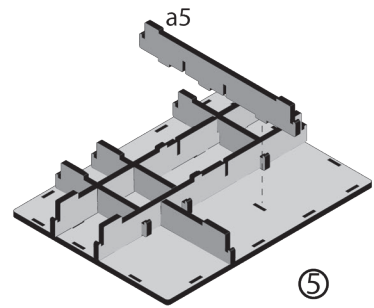
②



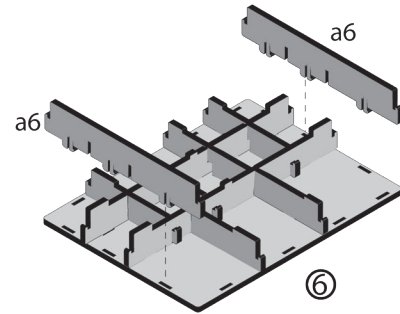
③



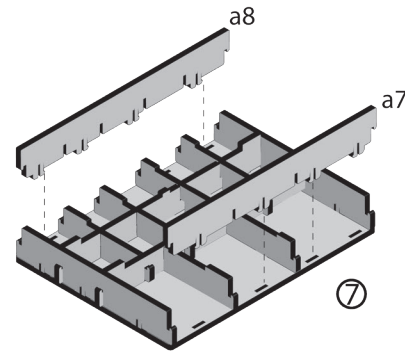
④



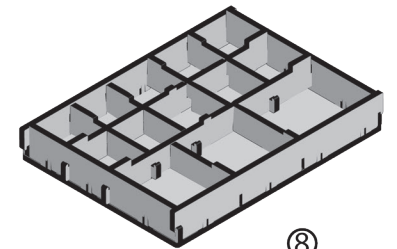
⑤



⑥

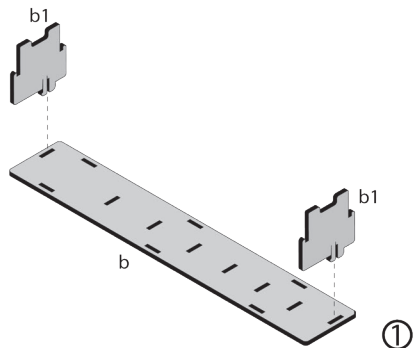


⑦

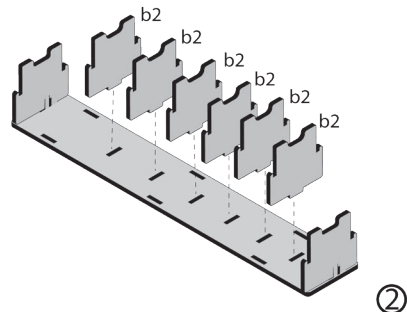


⑧

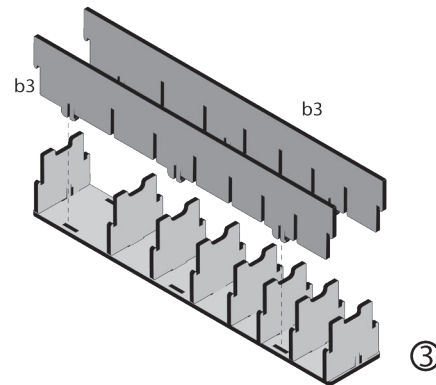
2.



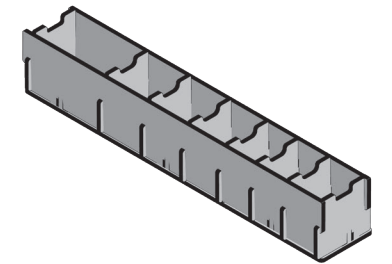
①



②

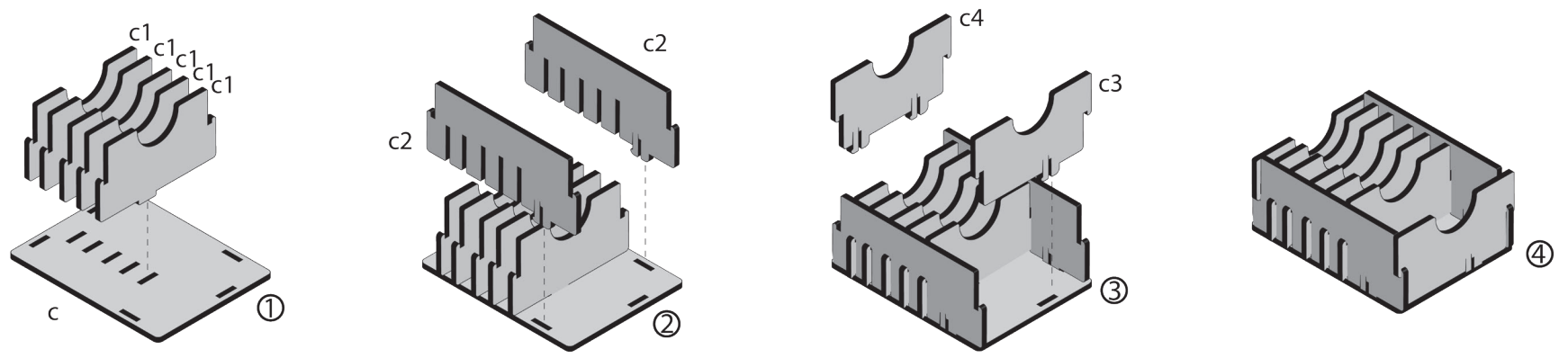


③

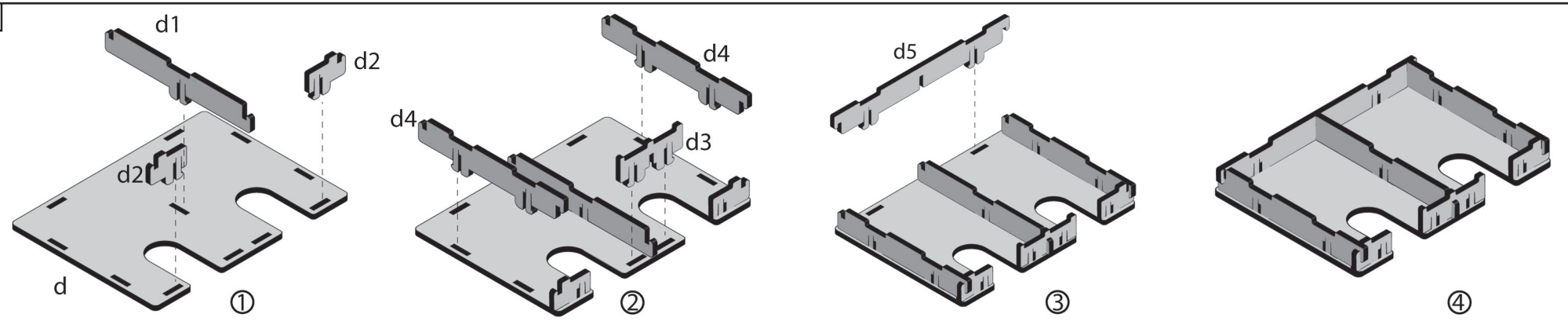


④

3.



4.



5.

