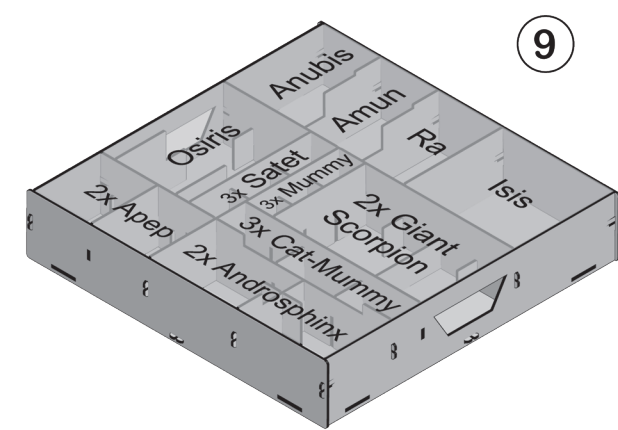
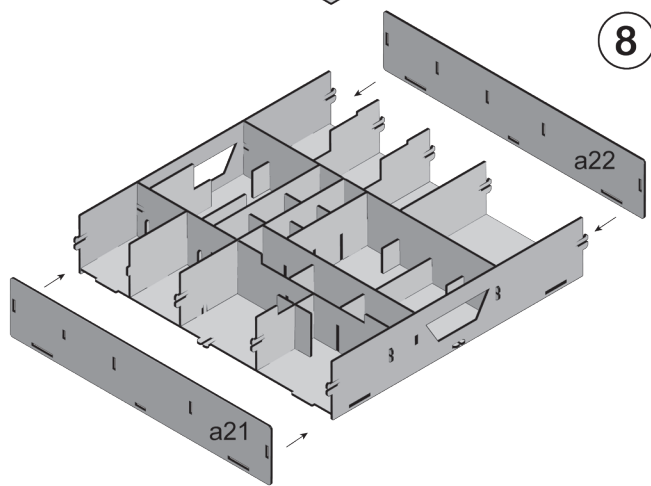
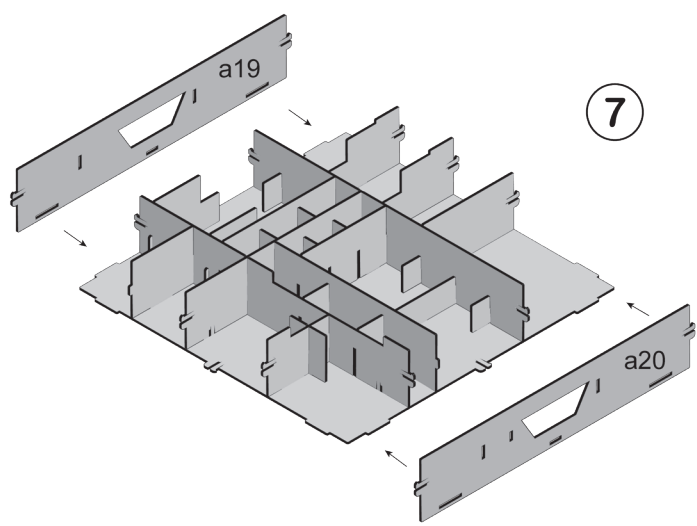
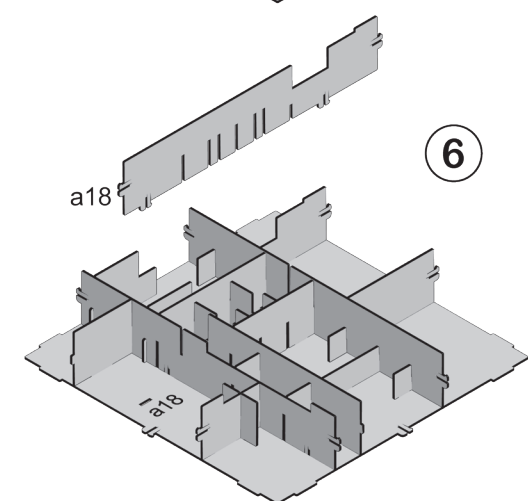
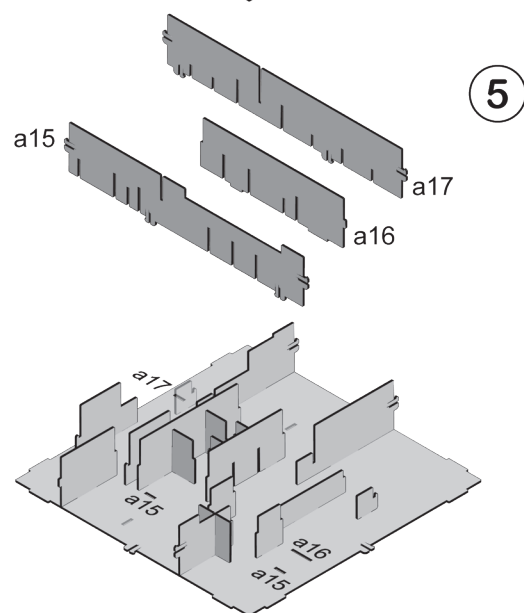
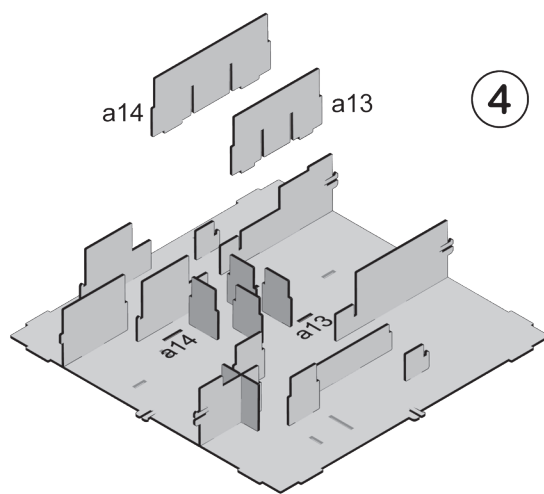
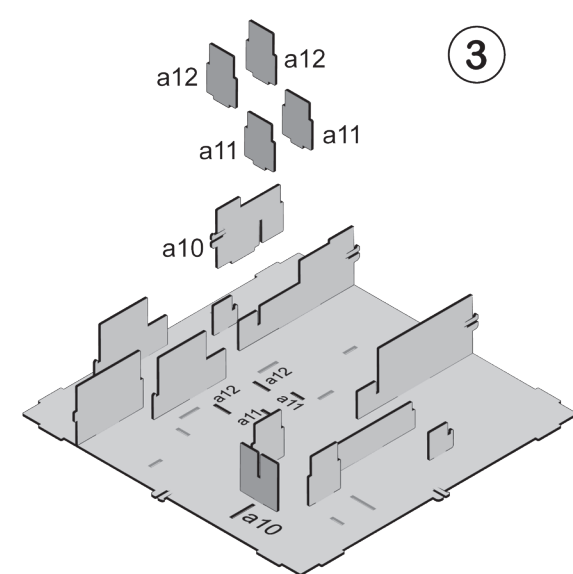
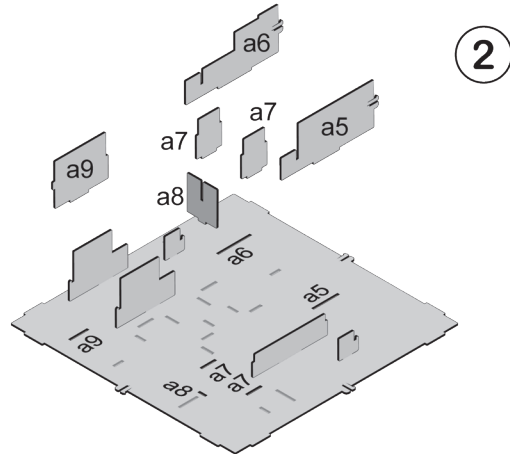
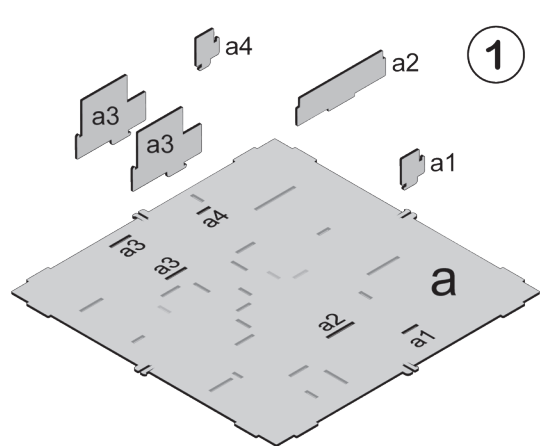
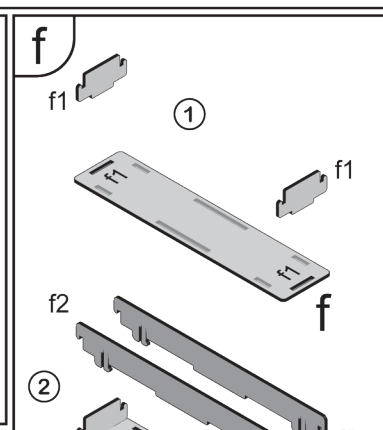
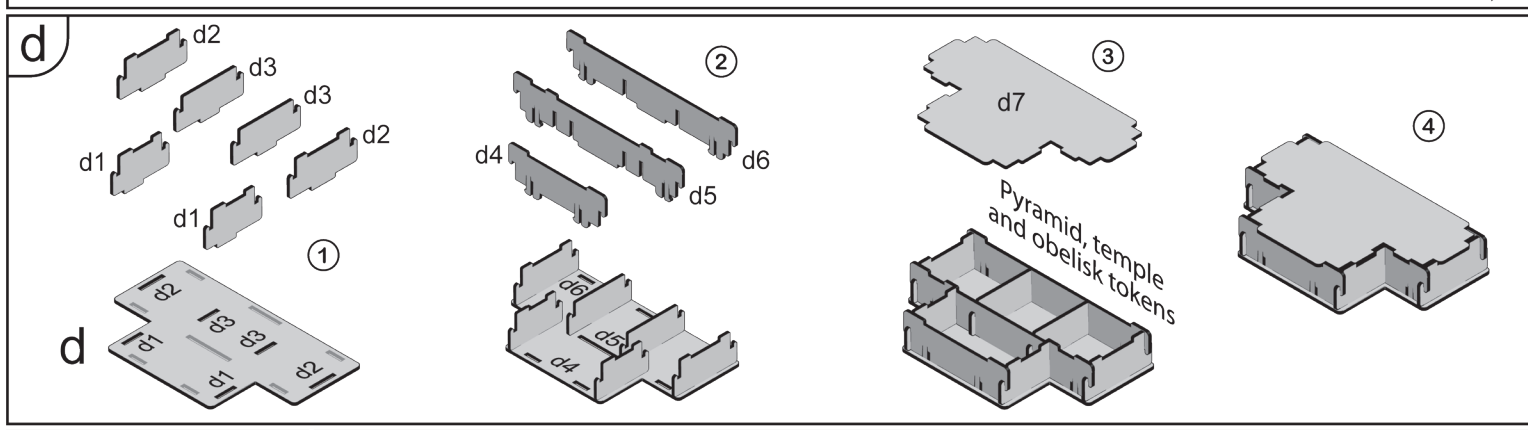
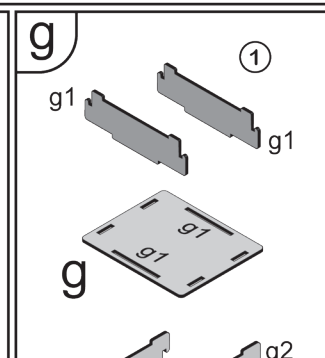
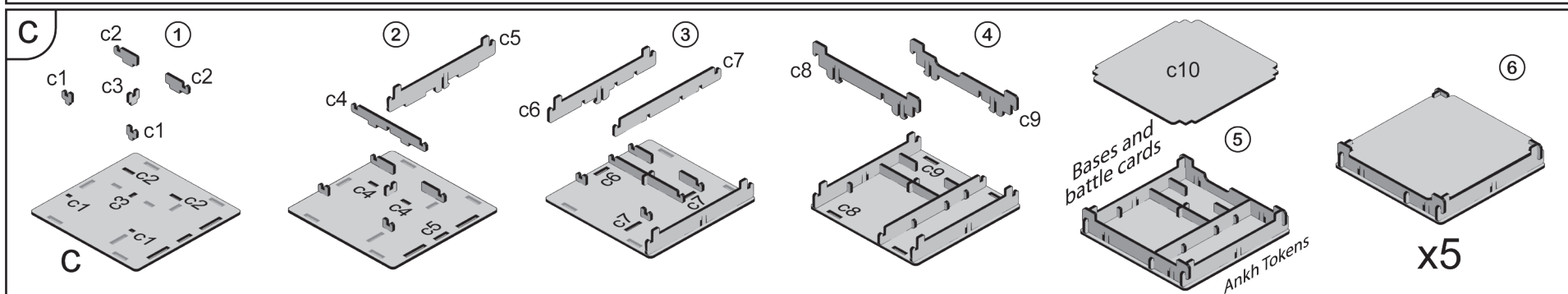
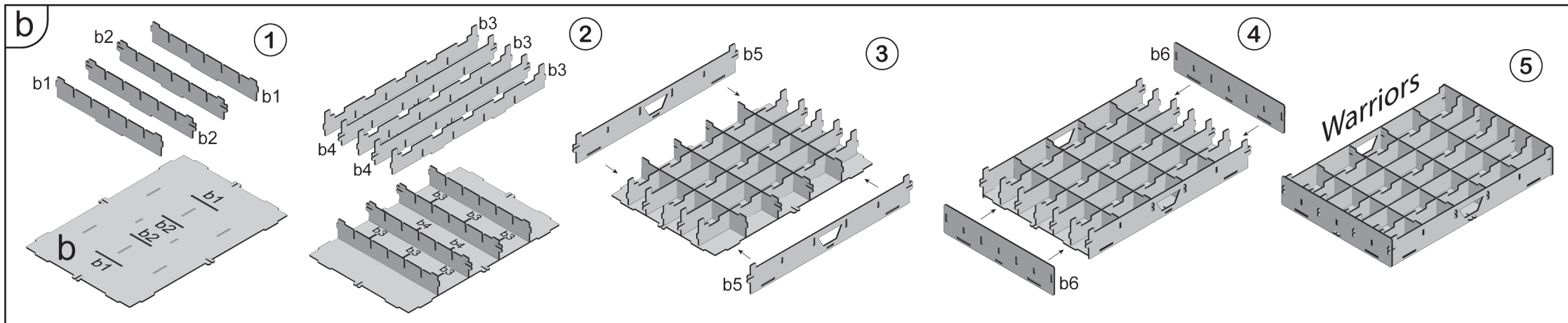


a

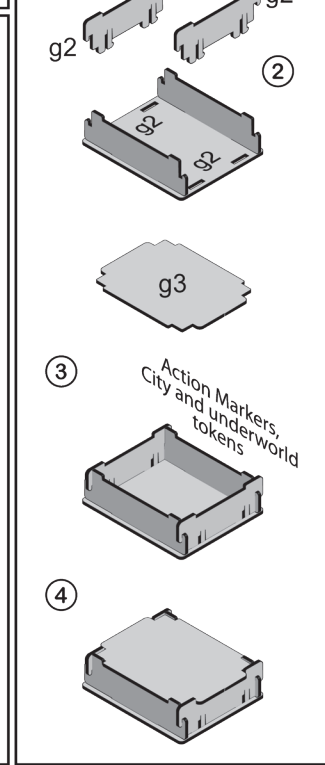
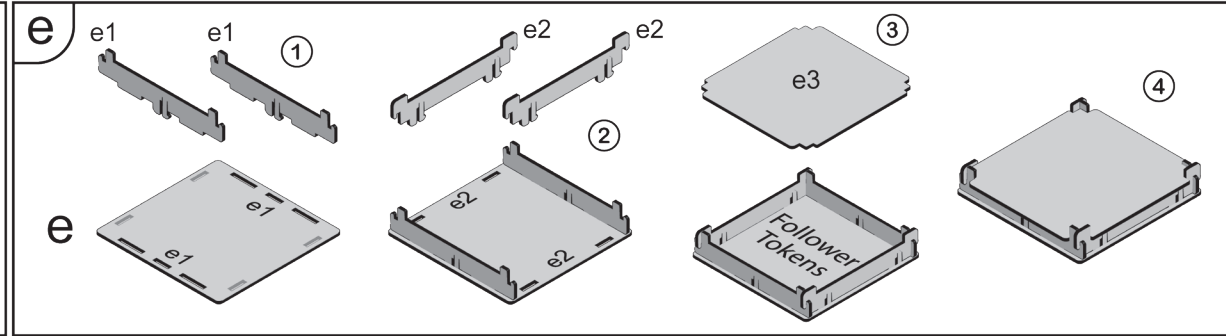


Insert compatible with the game:
Ankh: Gods of Egypt

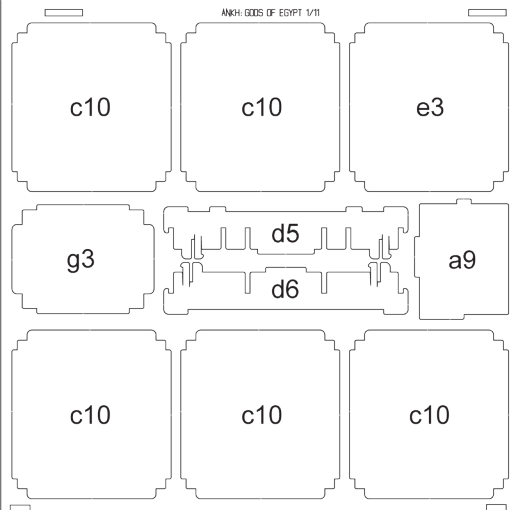
Please remove elements out of frame carefully.
 It is recommended to use a blade at the outline
 to punch the element out of the sheet easier.

We recommend gluing the felt
 before the start assembling.
 Match elements by the numbers.

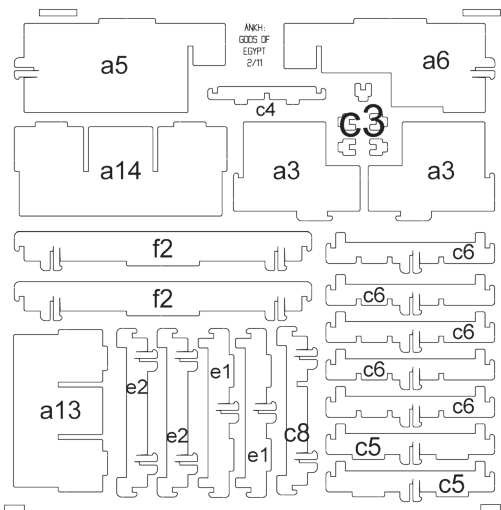
Assemble based on element letter.
 Then from number first to last.



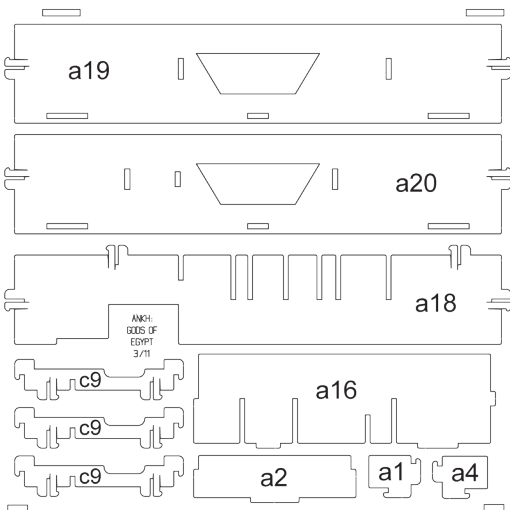
ANKH: GODS OF EGYPT 1/11



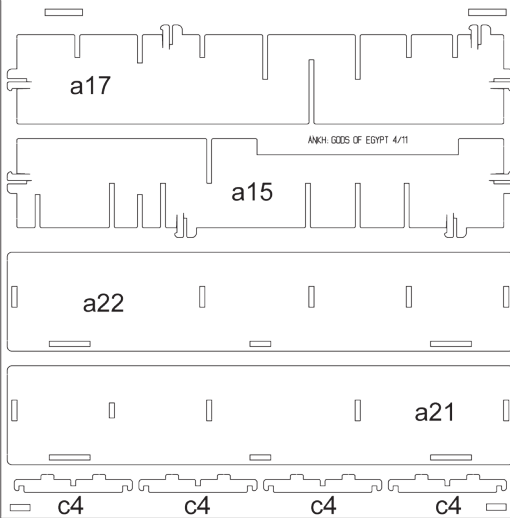
ANKH: GODS OF EGYPT 2/11



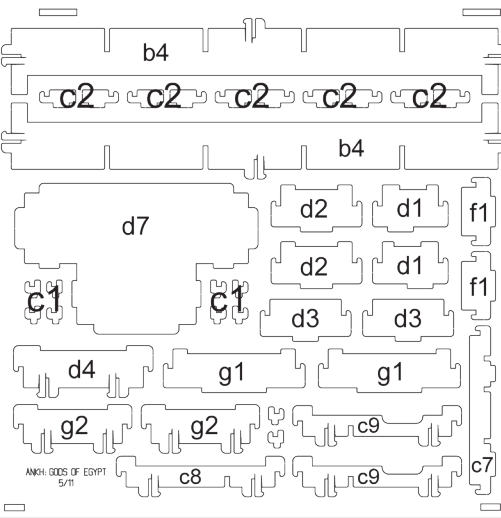
ANKH: GODS OF EGYPT 3/11



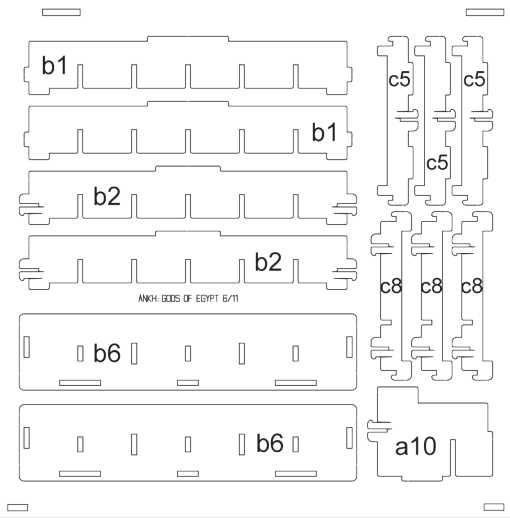
ANKH: GODS OF EGYPT 4/11



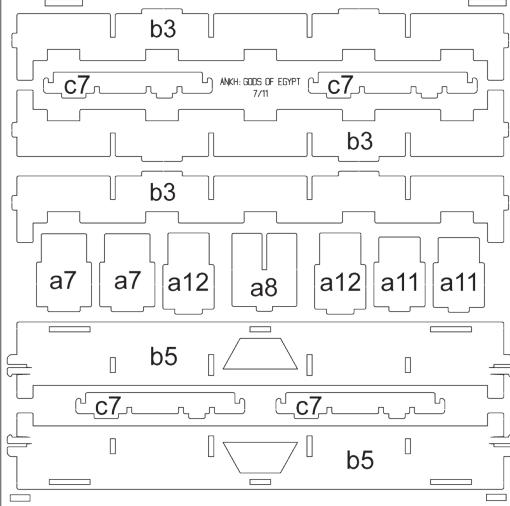
ANKH: GODS OF EGYPT 5/11



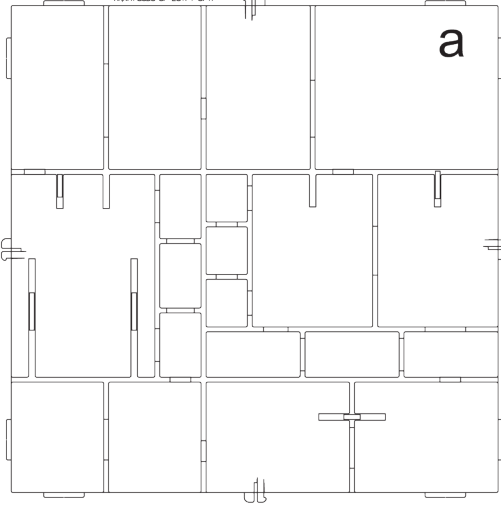
ANKH: GODS OF EGYPT 6/11



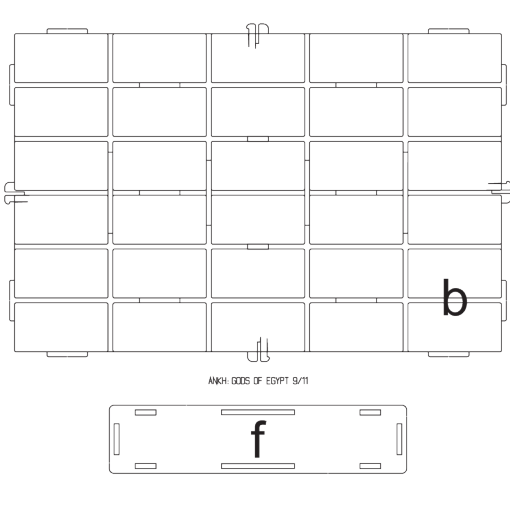
ANKH: GODS OF EGYPT 7/11



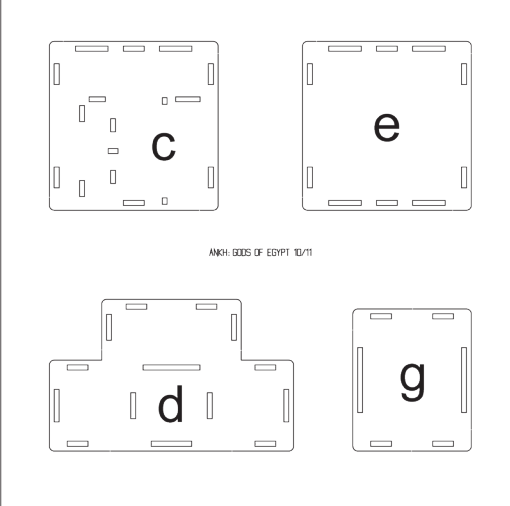
ANKH: GODS OF EGYPT 8/11



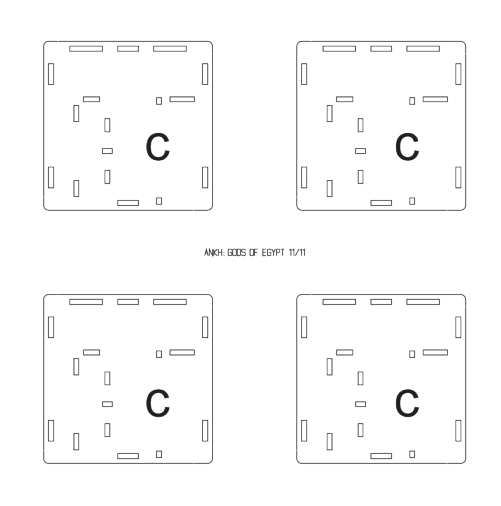
ANKH: GODS OF EGYPT 9/11



ANKH: GODS OF EGYPT 10/11

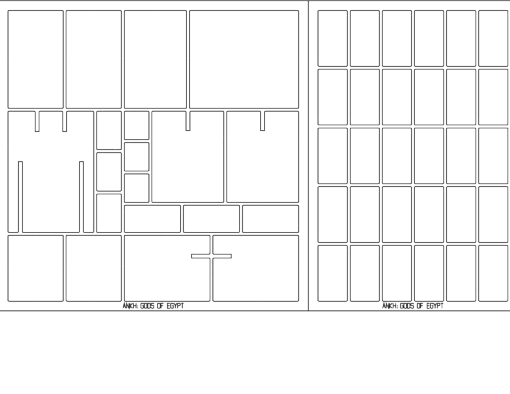


ANKH: GODS OF EGYPT 11/11

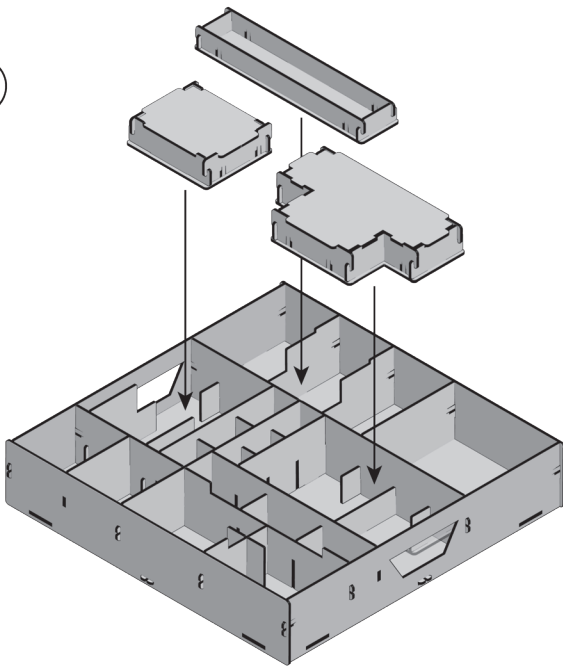


ANKH: GODS OF EGYPT

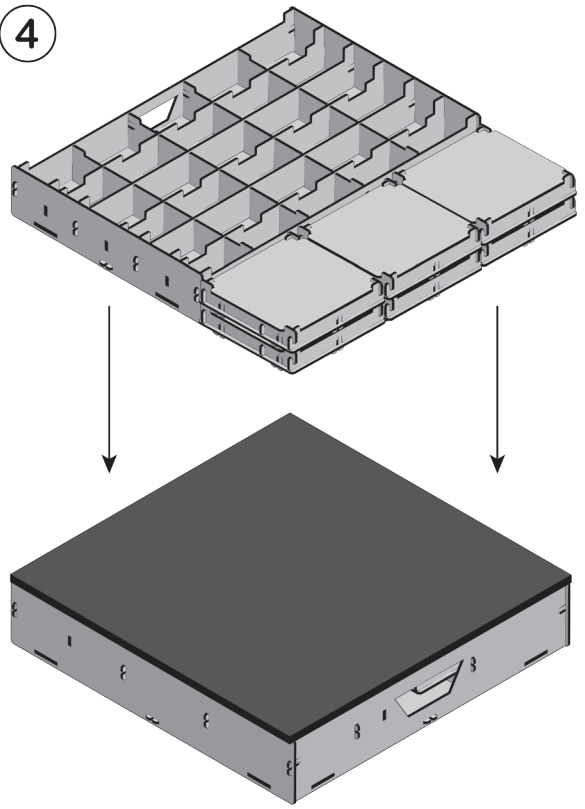
ANKH: GODS OF EGYPT



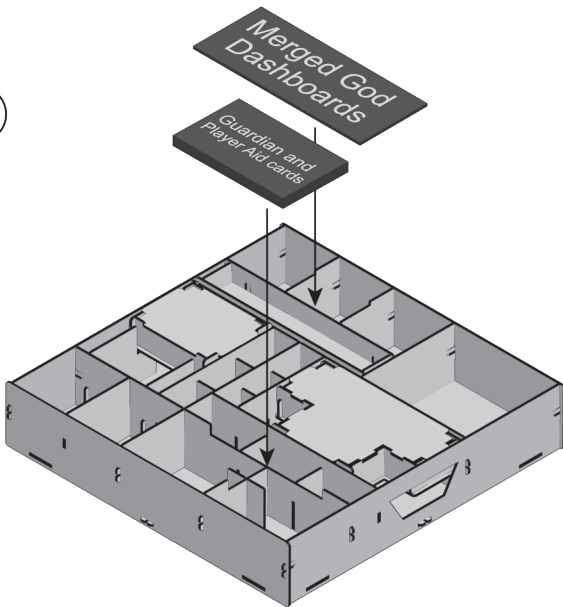
1



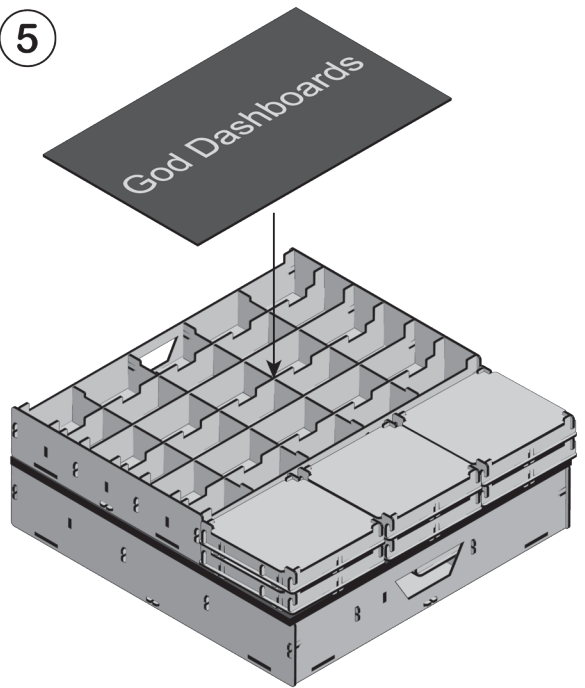
4



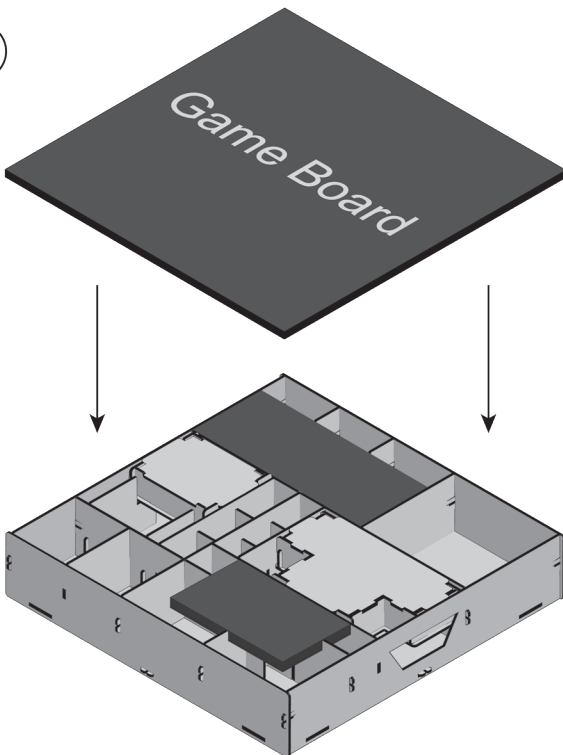
2



5



3



6

